

RK Series REVERSIBLE MOTOR 可逆式馬達

- 30分鐘額定 Rated Time: 30 minutes
- 內建簡易煞車系統 Built-in Easy Brake System
- 頻繁正逆轉使用 Frequent Forward/Reverse Usage
- 過轉小、具微小保持力 Few Over Run, Minor Holding Force

泛用型馬達
GENERAL PURPOSE MOTOR

速度控制型馬達
SPEED CONTROLLED MOTOR

控制器
CONTROLLER

煞車馬達
BRAKE MOTOR

離合煞車馬達
CLUTCH BRAKE MOTOR

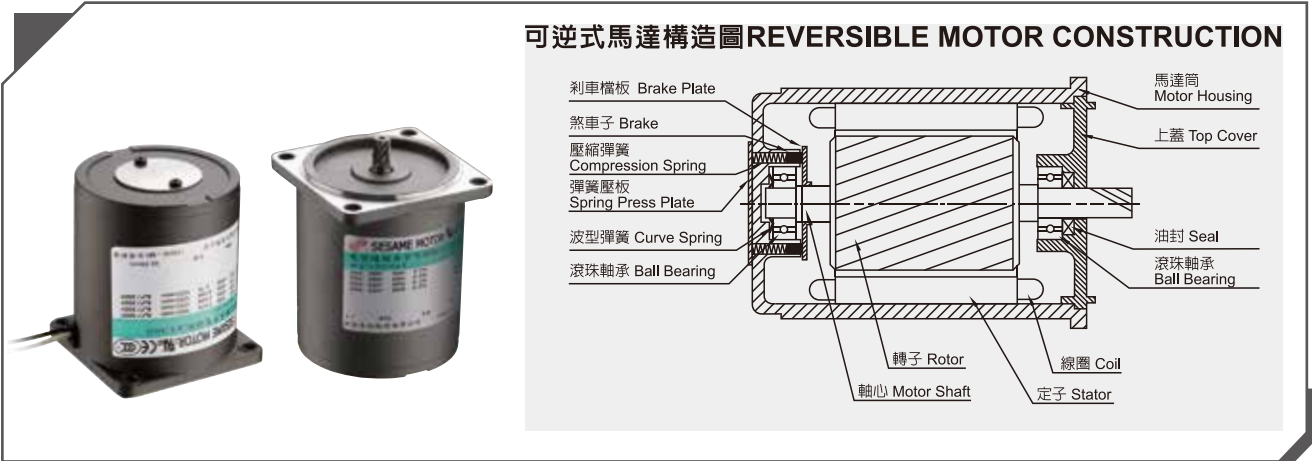
轉矩馬達
TORQUE MOTOR

減速機
SPEED REDUCER

零組件類
COMPONENTS

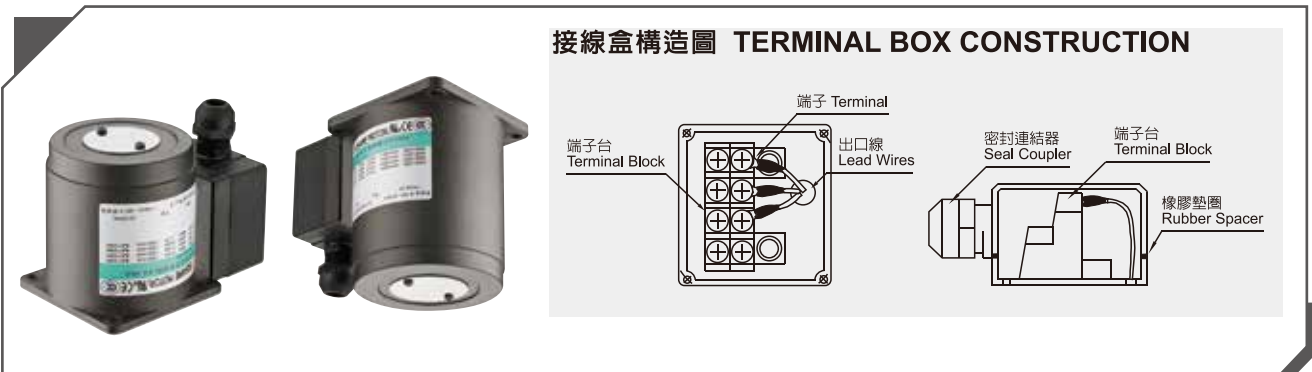
可逆式額定轉運型，導線式

REVERSIBLE MOTOR, LEAD WIRE TYPE (6W-60W)



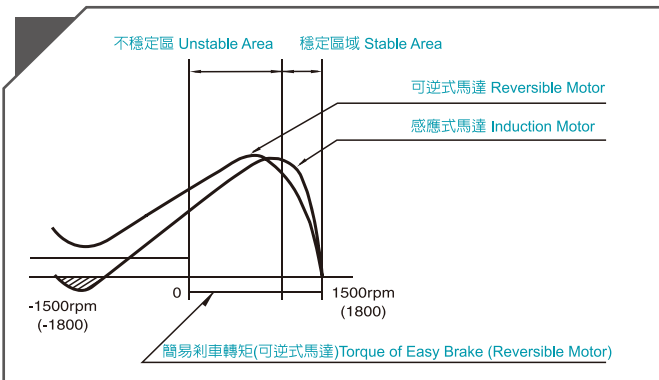
可逆式額定轉運型，接線盒式

REVERSIBLE MOTOR, TERMINAL BOX TYPE (6W-60W)



可逆式馬達特性圖

REVERSIBLE MOTOR CURVE



備註：4極馬達在頻率50Hz時，同步轉速為1500rpm。在60Hz時為1800rpm。
Notes : At 50Hz, a 4-Pole motor has synchronous turning speed of 1500rpm, 1800rpm at 60Hz.

可逆式馬達之煞車轉矩及過轉數

BRAKE TORQUE & OVERRUNS

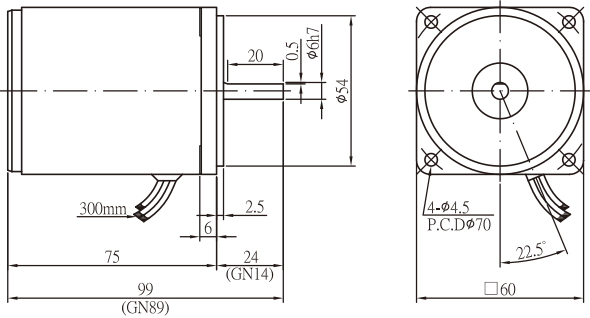
出力 (W) OUTPUT	煞車轉矩 (kg.cm) BRAKE TORQUE	過轉數 (TURNS) OVERTURNS
6	0.59	4-6
15	1.27	4-6
25	1.47	4-6
40	3.92	4-6
60	3.92	4-6

※ 僅供參考 FOR REFERENCE ONLY

RK Series REVERSIBLE MOTOR, LEAD WIRE TYPE-IP22

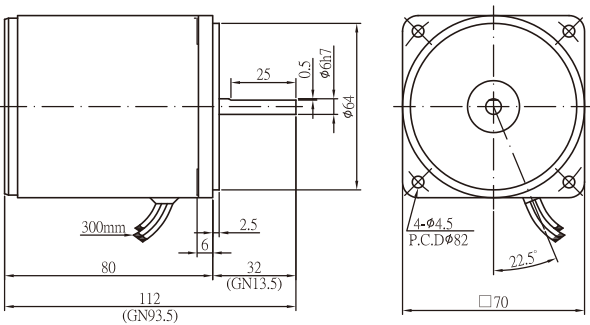
可逆式馬達 導線式-防護等級IP22

- 外形圖與規格表
- OUTLINE & SPECIFICATION
- 單位/UNIT : mm



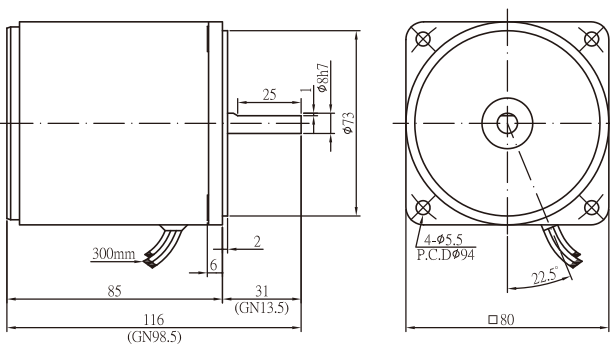
6W外型圖

6W機型MODEL	出力(W) OUTPUT	電壓(V) VOLTAGE	頻率(HZ) FREQ.	極數(P) POLE	額定轉數(rpm) RATED SPEED	額定時間 RATED TIME	起動轉矩(Kg.cm) STARTING TORQUE	額定轉矩(Kg.cm) RATED TORQUE	額定電流(A) RATED CURRENT	電容量(μF) CAPACITY
2RK6A(GN)-A	6	1φ100/110	50/60	4	900/1150	30分鐘/minutes	0.72/0.7	0.57/0.51	0.24/0.25	3.3/300V 3/300V
2RK6A(GN)-C	6	1φ200/220	50/60	4	1000/1300	30分鐘/minutes	0.72/0.8	0.55/0.45	0.13/0.15	1/450V
2RK6A(GN)-CE	6	1φ230/240	50	4	1100/1050	30分鐘/minutes	0.95/0.94	0.53/0.55	0.14/0.14	1/450V



15W外型圖

15W機型MODEL	出力(W) OUTPUT	電壓(V) VOLTAGE	頻率(HZ) FREQ.	極數(P) POLE	額定轉數(rpm) RATED SPEED	額定時間 RATED TIME	起動轉矩(Kg.cm) STARTING TORQUE	額定轉矩(Kg.cm) RATED TORQUE	額定電流(A) RATED CURRENT	電容量(μF) CAPACITY
3RK15A(GN)-A	15	1φ100/110	50/60	4	1200/1450	30分鐘/minutes	1.17/1.24	1.16/0.95	0.37/0.44	6/300V
3RK15A(GN)-C	15	1φ200/220	50/60	4	1200/1450	30分鐘/minutes	0.96/1.34	0.96/0.97	0.20/0.23	1.5/450V
3RK15A(GN)-CE	15	1φ230/240	50	4	1250	30分鐘/minutes	1.36/1.31	1.14/1.19	0.19/0.21	1.5/450V



25W外型圖

25W機型MODEL	出力(W) OUTPUT	電壓(V) VOLTAGE	頻率(HZ) FREQ.	極數(P) POLE	額定轉數(rpm) RATED SPEED	額定時間 RATED TIME	起動轉矩(Kg.cm) STARTING TORQUE	額定轉矩(Kg.cm) RATED TORQUE	額定電流(A) RATED CURRENT	電容量(μF) CAPACITY
4RK25A(GN)-A	25	1φ100/110	50/60	4	1250/1650	30分鐘/minutes	1.65/1.92	1.95/1.48	0.56/0.51	8/300V
4RK25A(GN)-C	25	1φ200/220	50/60	4	1300/1600	30分鐘/minutes	1.98/1.94	1.89/1.54	0.29/0.30	2.5/450V 2/450V
4RK25A(GN)-CE	25	1φ230/240	50	4	1350/1350	30分鐘/minutes	2.22/2.19	1.8/1.82	0.25/0.25	2/450V

Products due to human error, natural disasters or other factors lead to poor or damaged, will not be covered under warranty. 產品因人為原因或天災等因素導致不良或損壞, 不在保固範圍內。

MOTOR AND SPEED REDUCER

泛用型馬達
GENERAL PURPOSE MOTOR

速度控制型馬達
SPEED CONTROLLED MOTOR

控制器
CONTROLLER

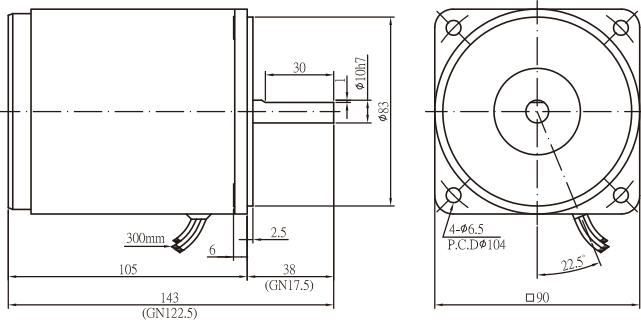
煞車馬達
BRAKE MOTOR

離合煞車馬達
CLUTCH BRAKE MOTOR

轉矩馬達
TORQUE MOTOR

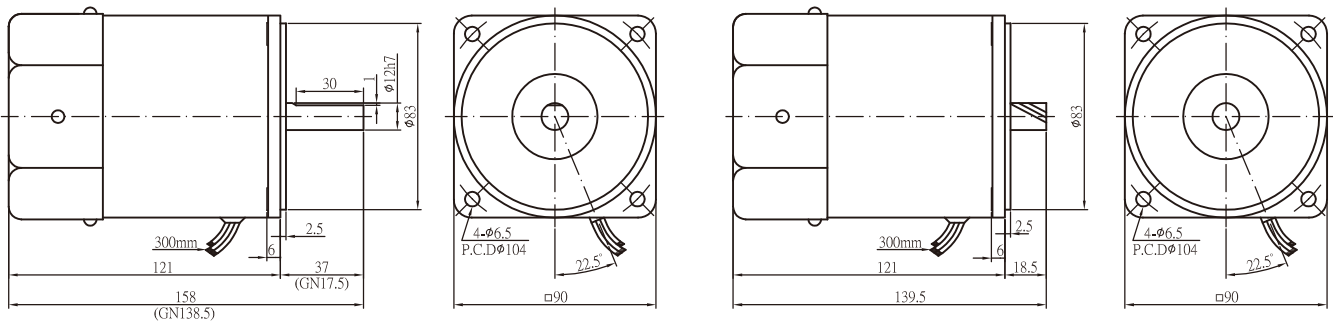
減速機
SPEED REDUCER

零組件類
COMPONENTS



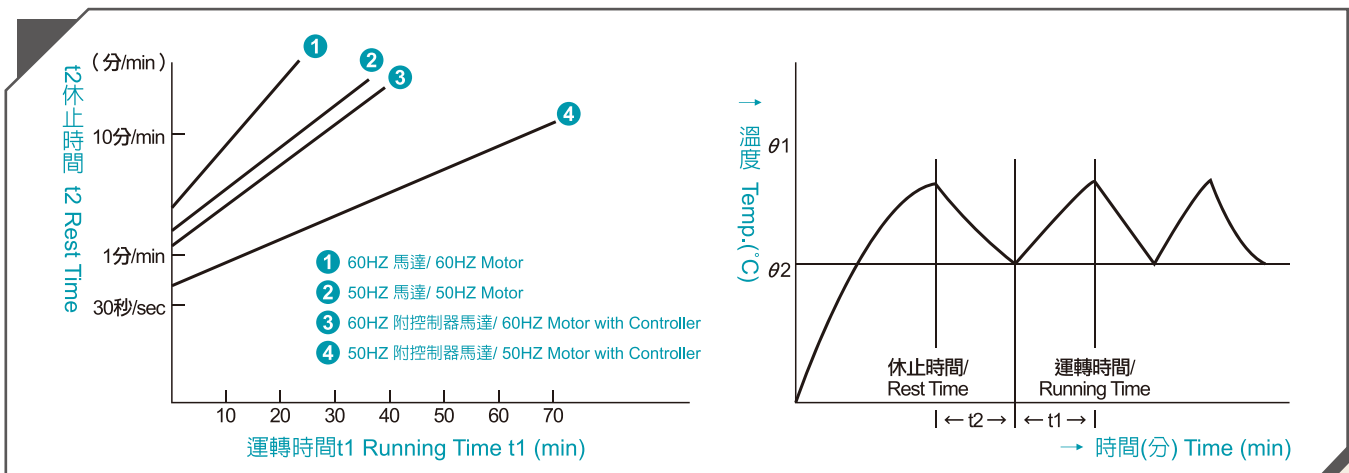
40W外型圖

40W機型MODEL	出力(W) OUTPUT	電壓(V) VOLTAGE	頻率(HZ) FREQ.	極數(P) POLE	額定轉數(rpm) RATED SPEED	額定時間 RATED TIME	起動轉矩(Kg.cm) STARTING TORQUE	額定轉矩(Kg.cm) RATED TORQUE	額定電流(A) RATED CURRENT	電容量(μF) CAPACITY
5RK40A(GN)-A	40	1φ100/110	50/60	4	1050/1500	30分鐘/minutes	2.43/3.1	2.83/2.64	0.99/1.01	12/300V
5RK40A(GN)-C	40	1φ200/220	50/60	4	1150/1500	30分鐘/minutes	3.76/2.73	3.35/2.64	0.54/0.53	4/450V 3/350V
5RK40A(GN)-CE	40	1φ230/240	50	4	1150/1300	30分鐘/minutes	2.41/3.17	3.36/3.04	0.49/0.44	3/450V



60W/60W-GX外型圖

60W/60W-GX機型MODEL	出力(W) OUTPUT	電壓(V) VOLTAGE	頻率(HZ) FREQ.	極數(P) POLE	額定轉數(rpm) RATED SPEED	額定時間 RATED TIME	起動轉矩(Kg.cm) STARTING TORQUE	額定轉矩(Kg.cm) RATED TORQUE	額定電流(A) RATED CURRENT	電容量(μF) CAPACITY
5RK60A(GN, GX)-AF	60	1φ100/110	50/60	4	1300/1600	30分鐘/minutes	3.08/4.03	4.82/3.78	1.34/1.25	16/300V
5RK60A(GN, GX)-CF	60	1φ200/220	50/60	4	1250/1600	30分鐘/minutes	2.38/2.97	4.68/3.68	0.75/0.73	4/450V
5RK60A(GN, GX)-CEF	60	1φ230/240	50	4	1300	30分鐘/minutes	4.33/4.72	4.59/4.6	0.57/0.63	4/450V



說明 REMARKS :

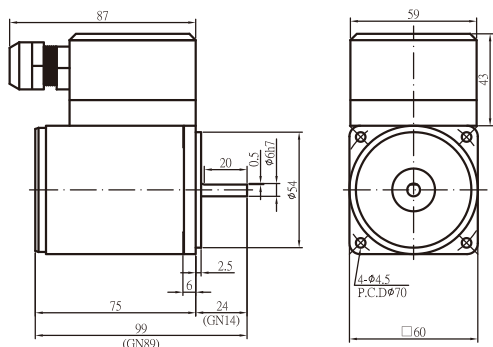
- 所謂「額定時間」是指馬達連續運轉的時間達到此數據時，就必須要先停止運轉，待冷卻後，才可繼續使用，否則馬達有可能會因溫度過高而燒毀。
"Rated Time" indicates the time limit to which the motor must stop running after its continuous operation, and resume to run only after cooling down. Otherwise, the motor may burn down due to overheating.
- 可逆式馬達也可依上列圖示方式使用。 Reversible motors can also be used according to the methods shown above.

RK Series

REVERSIBLE MOTOR, TERMINAL BOX TYPE-IP54

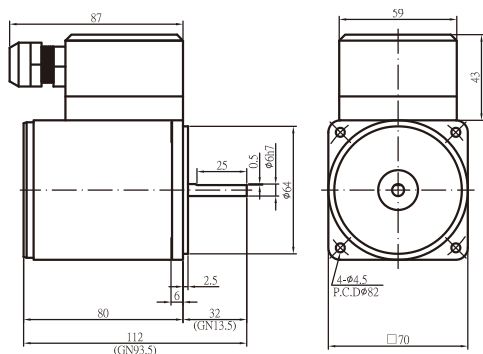
可逆式馬達 接線盒式-防護等級IP54

- 外形圖與規格表
- OUTLINE & SPECIFICATION
- 單位/UNIT : mm



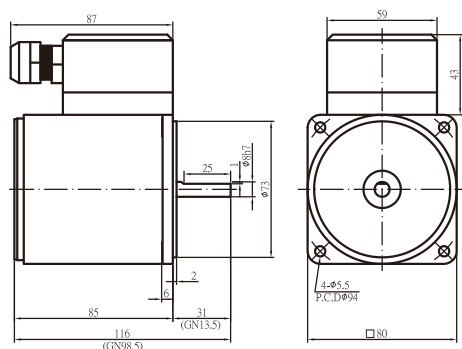
6W外型圖

6W機型MODEL	出力(W) OUTPUT	電壓(V) VOLTAGE	頻率(HZ) FREQ.	極數(P) POLE	額定轉數(rpm) RATED SPEED	額定時間 RATED TIME	起動轉矩(Kg.cm) STARTING TORQUE	額定轉矩(Kg.cm) RATED TORQUE	額定電流(A) RATED CURRENT	電容量(µF) CAPACITY
2RK6A(GN)-AT	6	1ø100/110	50/60	4	900/1150	30分鐘/minutes	0.72/0.7	0.57/0.51	0.24/0.25	3.3/300V 3/300V
2RK6A(GN)-CT	6	1ø200/220	50/60	4	1000/1300	30分鐘/minutes	0.72/0.8	0.55/0.45	0.13/0.15	1/450V
2RK6A(GN)-CET	6	1ø230/240	50	4	1100/1050	30分鐘/minutes	0.95/0.94	0.53/0.55	0.14/0.14	1/450V



15W外型圖

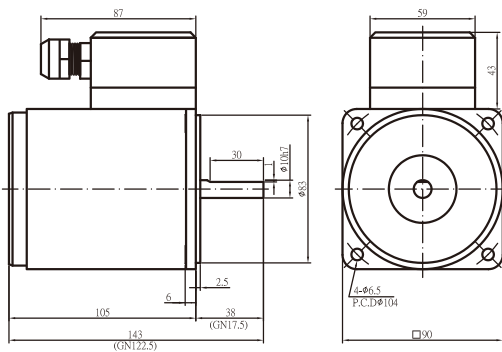
15W機型MODEL	出力(W) OUTPUT	電壓(V) VOLTAGE	頻率(HZ) FREQ.	極數(P) POLE	額定轉數(rpm) RATED SPEED	額定時間 RATED TIME	起動轉矩(Kg.cm) STARTING TORQUE	額定轉矩(Kg.cm) RATED TORQUE	額定電流(A) RATED CURRENT	電容量(µF) CAPACITY
3RK15A(GN)-AT	15	1ø100/110	50/60	4	1200/1450	30分鐘/minutes	1.17/1.24	1.16/0.95	0.37/0.44	6/300V
3RK15A(GN)-CT	15	1ø200/220	50/60	4	1200/1450	30分鐘/minutes	0.96/1.34	0.96/0.97	0.20/0.23	1.5/450V
3RK15A(GN)-CET	15	1ø230/240	50	4	1250	30分鐘/minutes	1.36/1.31	1.14/1.19	0.19/0.21	1.5/450V



25W外型圖

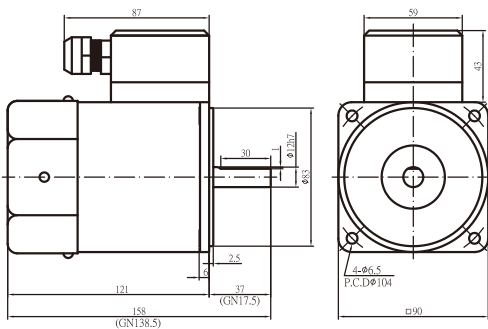
25W機型MODEL	出力(W) OUTPUT	電壓(V) VOLTAGE	頻率(HZ) FREQ.	極數(P) POLE	額定轉數(rpm) RATED SPEED	額定時間 RATED TIME	起動轉矩(Kg.cm) STARTING TORQUE	額定轉矩(Kg.cm) RATED TORQUE	額定電流(A) RATED CURRENT	電容量(µF) CAPACITY
4RK25A(GN)-AT	25	1ø100/110	50/60	4	1250/1650	30分鐘/minutes	1.65/1.92	1.95/1.48	0.56/0.51	8/300V
4RK25A(GN)-CT	25	1ø200/220	50/60	4	1300/1600	30分鐘/minutes	1.98/1.94	1.89/1.54	0.29/0.3	2.5/450V 2/450V
4RK25A(GN)-CET	25	1ø230/240	50	4	1350/1350	30分鐘/minutes	2.22/2.19	1.8/1.82	0.25/0.25	2/450V

Products due to human error, natural disasters or other factors lead to poor or damaged, will not be covered under warranty. 產品因人為原因或天災等因素導致不良或損壞, 不在保固範圍內。

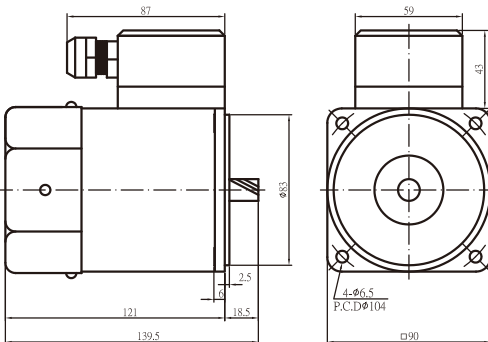


40W外型圖

40W機型MODEL	出力(W) OUTPUT	電壓(V) VOLTAGE	頻率(HZ) FREQ.	極數(P) POLE	額定轉數(rpm) RATED SPEED	額定時間 RATED TIME	起動轉矩(Kg.cm) STARTING TORQUE	額定轉矩(Kg.cm) RATED TORQUE	額定電流(A) RATED CURRENT	電容量(μF) CAPACITY
5RK40A(GN)-AT	40	1φ100/110	50/60	4	1050/1500	30分鐘/minutes	2.43/3.1	2.83/2.64	0.99/1.01	12/300V
5RK40A(GN)-CT	40	1φ200/220	50/60	4	1150/1500	30分鐘/minutes	3.76/2.73	3.35/2.64	0.54/0.53	4/450V 3/450V
5RK40A(GN)-CET	40	1φ230/240	50	4	1150/1300	30分鐘/minutes	2.41/3.17	3.36/3.04	0.49/0.44	3/450V



60W外型圖



60W-GX外型圖

60W/60W-GX機型MODEL	出力(W) OUTPUT	電壓(V) VOLTAGE	頻率(HZ) FREQ.	極數(P) POLE	額定轉數(rpm) RATED SPEED	額定時間 RATED TIME	起動轉矩(Kg.cm) STARTING TORQUE	額定轉矩(Kg.cm) RATED TORQUE	額定電流(A) RATED CURRENT	電容量(μF) CAPACITY
5RK60A(GN, GX)-AFT	60	1φ100/110	50/60	4	1300/1600	30分鐘/minutes	3.08/4.03	4.82/3.78	1.34/1.25	16/300V
5RK60A(GN, GX)-CFT	60	1φ200/220	50/60	4	1250/1600	30分鐘/minutes	2.38/2.97	4.68/3.68	0.75/0.73	4/450V
5RK60A(GN, GX)-CEFT	60	1φ230/240	50	4	1300	30分鐘/minutes	4.33/4.72	4.59/4.6	0.57/0.63	4/450V

說明 REMARKS :

- 所謂「額定時間」是指馬達連續運轉的時間達到此數據時，就必須要先停止運轉，待冷卻後，才可繼續使用，否則馬達有可能會因溫度過高而燒毀。
"Rated Time" indicates the time limit to which the motor must stop running after its continuous operation, and resume to run only after cooling down. Otherwise, the motor may be burn down to overheating.
- 可逆式馬達(接線盒式)之使用方式與可逆式馬達(導線式)相同。
The usage of the reversible motor (terminal box type) is the same as the reversible motor (lead-wire type).

SPEED REDUCER

減速機

- 外形圖與規格表
- OUTLINE & SPECIFICATION
- 單位/UNIT : mm

減速機之選定 HOW TO SELECT A SPEED REDUCER

■ 與減速機直結後的回轉數及轉矩 ROTATION AND TORQUE GIVEN FROM CONJUNCTION WITH SPEED REDUCER

與減速機直結後的回轉數及轉矩可由以下公式算出
Following is the calculation formula:

$$\text{回轉速 Rotations: } N_G = \frac{N_M}{i}$$

$$\text{轉矩 Torque: } T_G = T_M \cdot i \cdot \eta$$

N_G : 加減速機後之回轉數 Rotations after conjunction with speed reducer (rpm)

N_M : 馬達本體之回轉數 Rotations of Motor (rpm)

i : 減速機減速比 Speed Reducer's reduce ratio

T_G : 加減速機後之轉矩 Torque after conjunction with speed reducer (kg·m)

T_M : 馬達本體之轉矩 Torque of Motor (kg·m)

η : 減速機之傳動效率 The transmission efficiency of the Speed Reducer

■ 最大容許轉矩 MAXIMUM TORQUE ALLOWED

限於材料或其他條件的限制，減速機能承受的轉矩是有極限的，當減速比變大時，請參考後面各章節。

The maximum torque a speed reducer can tolerate is limited due to materials or other specs. Please see the specification of speed reducer for maximum torque allowed at different ratio.

■ 容許側向負載及容許軸向負載

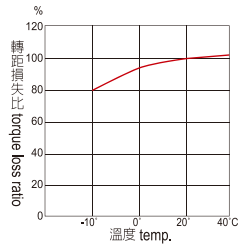
ALLOWABLE RADIAL LOAD AND AXIAL LOAD

所謂側向負載，就是出力軸在1/2處可以承受的彎曲負載，一般使用於以鏈條連結的機構。若是使用的連結器傳動的方式，可以不考慮。因為側向負載與軸向負載會影響減速機的壽命及強度，請勿超負載使用。

Radial load refers to the bending load of output shaft at the 1/2 point, commonly used in units linked by chains. Radial load can be disregarded if a coupling is used. Do not over-load since radial load and axial load may affect service life and strength.

■ 依溫度調整減速比 ADJUSTED THE SPEED REDUCER RATIO VIA ENVIRONMENT TEMPERATURE

環境溫度對於減速機的傳動效率有明顯的影響。上表的傳動效率是在室溫20°C時的量測值。當機台使用在寒帶地區時，請用右表的轉矩損失比來乘標示的轉矩。例如：若機台使用在-10°C的環境，其轉矩將減少20%。(僅供參考用)



Transmission efficiency of a speed reducer apparently does affected by the environment temperature. The graphic display the torque loss percentage at different ambient temperature (for reference only).

■ 負載形態與減速機壽命 LOAD PATTERNS VS. LIFESPAN OF SPEED REDUCER

減速機的壽命會因負載方式，每日運轉時間及軸承種類的不同而改變。下表是假設減速機的負載低於最大容許轉矩。(僅供設計人員參考用)

Speed Reducer lifespan will be vary by ways of loading including but not limit to operation time frame, different type of bearing. The following table assumes that the load gear is under the maximum permissible torque. (Reference for engineers)

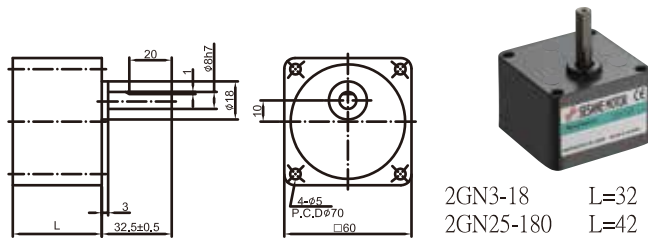
單位：小時 hrs

負載形態 LOAD PATTERN	含油軸承 BEARING			滾珠軸承 BALL BEARING			應用說明 Application instructions.
	5 hrs/day	8 hrs/day	24 hrs/day	5 hrs/day	8 hrs/day	24 hrs/day	
固定負載 FIXED LOAD	2000	1500	1000	6250	5000	3400	單方向運轉，如，輸送機。 Operated in one direction, such as conveyors.
輕微衝擊 SLIGHT IMPACT	1500	1250	800	4200	3400	2500	經常起動/停止的機構，凸輪運轉。 Frequent start/stop, ex. cam operator.
強烈衝擊 STRONG IMPACT	800~1000	700~1000	600~700	2000~2500	1700~2500	1400~1700	可逆馬達的瞬間正逆轉，用 車器瞬間剎車。 Reversible motors, instant moment reversed, with brake system in an instant brake.

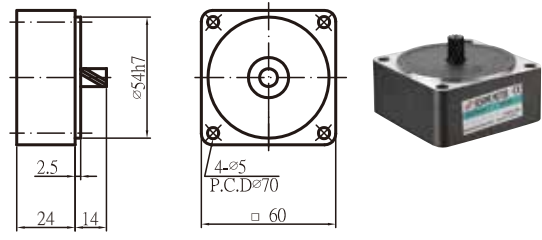
■ 馬達有圓軸及齒輪軸兩種，只有齒輪軸才能夠與減速機直結。 MOTOR EQUIP WITH ROUND SHAFT AND GEAR SHAFT, ONLY GEAR SHAFT CAN CONJUNCT WITH SPEED REDUCER.



2 GN KE . 2 GN 減速機 / SPEED REDUCER

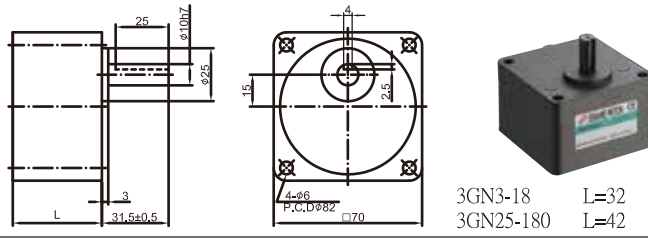


2GN10X . 2GN10XK 中間減速機 / INTERMEDIATE SPEED REDUCER

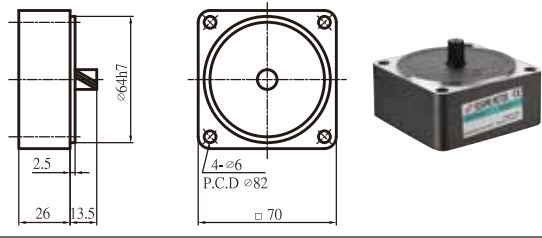


迴轉速 / SPEED(rpm)	500	300	200	180	150	120	100	60	50	30	20	15	10
減速比 / SPEED REDUCTION RATIO 50HZ	3	5	7.5	-	10	12.5	15	25	30	50	75	100	150
減速比 / SPEED REDUCTION RATIO 60HZ	3.6	6	9	10	-	15	18	30	36	60	90	120	180
最大容許轉矩 / (kgf.cm) MAX. TORQUE	1.1	1.8	2.7	3.0	3.9	4.5	5.4	8.1	9.7	15	23	25	25

3 GN KE . 3 GN 減速機 / SPEED REDUCER

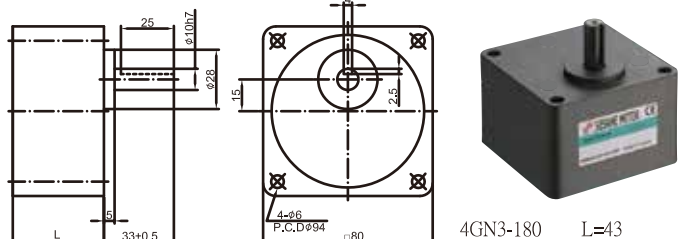


3GN10X . 3GN10XK 中間減速機 / INTERMEDIATE SPEED REDUCER

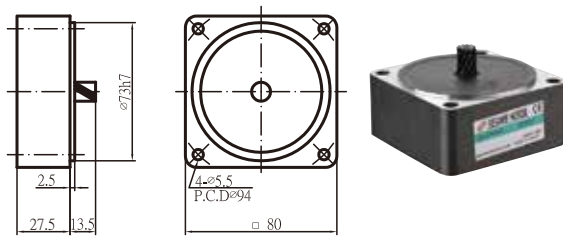


迴轉速 / SPEED(rpm)	500	300	200	180	150	120	100	60	50	45	37.5	30	20	15	10
減速比 / SPEED REDUCTION RATIO 50HZ	3	5	7.5	-	10	12.5	15	25	30	-	40	50	75	100	150
減速比 / SPEED REDUCTION RATIO 60HZ	3.6	6	9	10	-	15	18	30	36	40	-	60	90	120	180
最大容許轉矩 / (kgf.cm) MAX. TORQUE	2.6	4.4	6.6	7.4	9.8	11	13	20	24	24	32	36	50	50	50

4 GN KE . 4 GN 減速機 / SPEED REDUCER

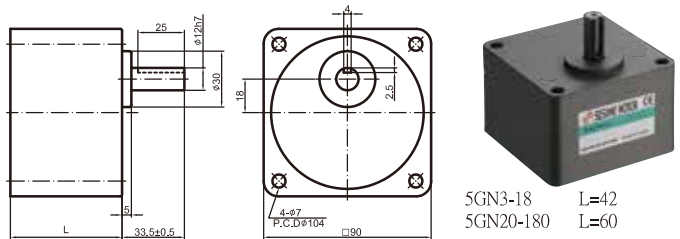


4GN10X . 4GN10XK 中間減速機 / INTERMEDIATE SPEED REDUCER

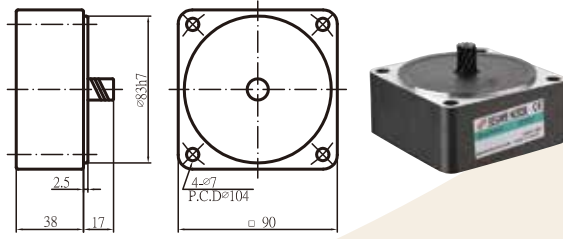


迴轉速 / SPEED(rpm)	500	300	200	180	150	120	100	60	50	45	37.5	30	20	15	10
減速比 / SPEED REDUCTION RATIO 50HZ	3	5	7.5	-	10	12.5	15	25	30	-	40	50	75	100	150
減速比 / SPEED REDUCTION RATIO 60HZ	3.6	6	9	10	-	15	18	30	36	40	-	60	90	120	180
最大容許轉矩 / (kgf.cm) MAX. TORQUE	4.4	7.4	11	12	15	11	22	33	40	40	50	60	80	80	80

5 GN KE . 5 GN 減速機 / SPEED REDUCER



5GN10X . 5GN10XK 中間減速機 / INTERMEDIATE SPEED REDUCER



迴轉速 / SPEED(rpm)	500	300	200	180	150	120	100	90	75	60	50	45	37.5	30	20	15	10
減速比 / SPEED REDUCTION RATIO 50HZ	3	5	7.5	-	10	12.5	15	-	20	25	30	-	40	50	75	100	150
減速比 / SPEED REDUCTION RATIO 60HZ	3.6	6	9	10	-	15	18	20	-	30	36	40	-	60	90	120	180
最大容許轉矩 / (kgf.cm) MAX. TORQUE	10	17	26	29	36	43	52	52	65	78	93	93	100	100	100	100	100

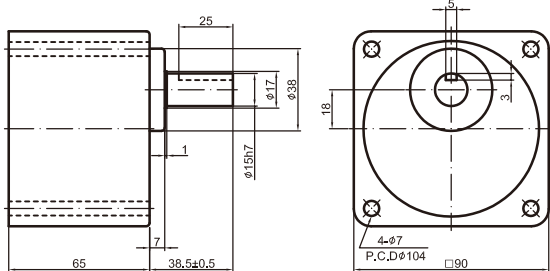
SPEED REDUCER

減速機

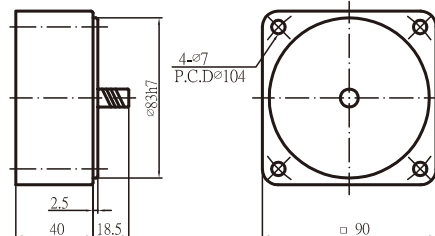
- 外形圖與規格表
- OUTLINE & SPECIFICATION
- 單位/UNIT : mm



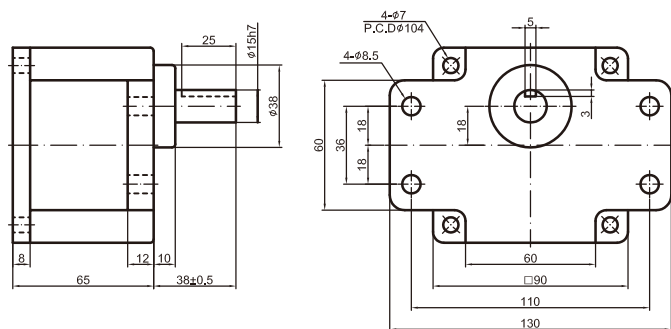
■ 5 GX□KB 減速機/ SPEED REDUCER



■ 5GX10XK 中間減速機/ INTERMEDIATE SPEED REDUCER

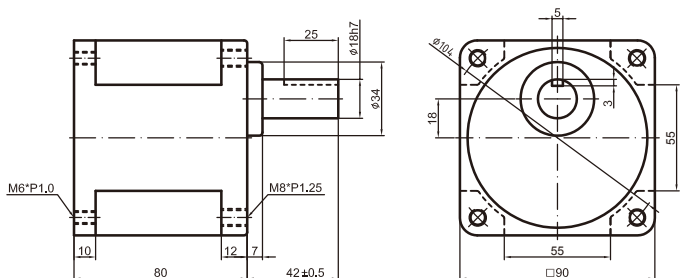


■ 5 GX□K 減速機/ SPEED REDUCER



迴轉速/ SPEED(rpm)	500	300	200	120	100	90	75	60	50	30	20	15	10	9	7.5
減速比/ SPEED REDUCTION RATIO 50HZ	3	5	7.5	12.5	15	-	20	25	30	50	75	100	150	-	200
減速比/ SPEED REDUCTION RATIO 60HZ	3.6	6	9	15	18	20	-	30	36	60	90	120	180	200	-
最大容許轉矩/ (kgf.cm) MAX. TORQUE	15	26	38	57	69	69	86	103	124	200	200	200	200	200	200

■ 5 GX□KBH 重力減速機/ GRAVITY FORCE TYPE REDUCER



迴轉速/ SPEED(rpm)	30	20	15	10	9	7.5
減速比/ SPEED REDUCTION RATIO 50HZ	50	75	150	150	-	200
減速比/ SPEED REDUCTION RATIO 60HZ	60	90	180	120	200	-
最大容許轉矩/ (kgf.cm) MAX. TORQUE	350	350	350	350	350	350

說明 :

1. 減速機品名中□放入減速比。
2. 迴轉速是以馬達的同步轉速為基準(50 HZ : 1500rpm , 60HZ : 1800rpm)除以減速比 ; 實際迴轉速應依負載之大小減少2%~ 20% 。
3. 標示 ■ 的減速機旋轉方向與馬達方向相反 , 其他則與馬達同方向。
4. 齒箱使用注意事項及說明 : 減速機中若有金屬或異物仍勉強與馬達組合 , 將會使齒輪受傷而產生異常音 , 及減少減速機使用壽命 , 也可能發生意外 , 請特別注意。
5. 齒箱與馬達結合一定要核對編碼是否正確 , 否則無法組裝。

NOTES :

1. Please fill in the required speed reduction ratio in the □ (square) after the speed reducer model no.
2. Rotational speed is calculated by dividing the synchronous speed of the motor (50Hz: 1500rpm; 60Hz: 1800rpm) with the reduction ratio. Depending on total load, actual rotational speed is 2%~20% less.
3. Speed reducers marked in the highlighted areas have opposite rotational direction to the motor. Others unmarked have the same rotational direction as the motor.
4. Attention: metal chips or objects in speed reducer will result in gear damage, noise and shorten service-life when assembling with motor.
5. Please make sure that the shaft size of the motor matches to that of the accompanying reducer model before assembly, otherwise inconformity will occur.

Products due to human error, natural disasters or other factors lead to poor or damaged, will not be covered under warranty. 產品因人為原因或天災等因素導致不良或損壞, 不在保固範圍內。

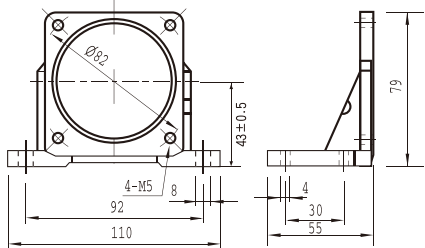
COMPONENTS

零組件類

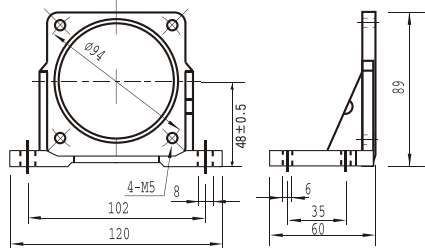
馬達安裝用L型腳座 / L TYPE BASE BRACKET FOR MOTOR INSTALLATION



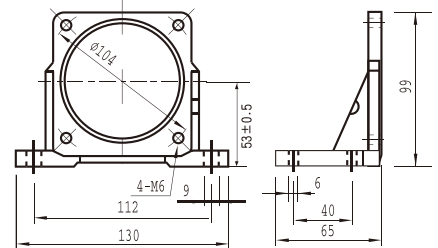
PAL-3N (□70mm用)



PAL-4N (□80mm用)

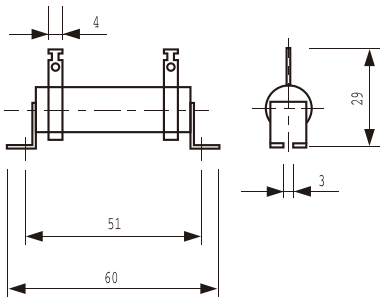


PAL-5N (□90mm用)

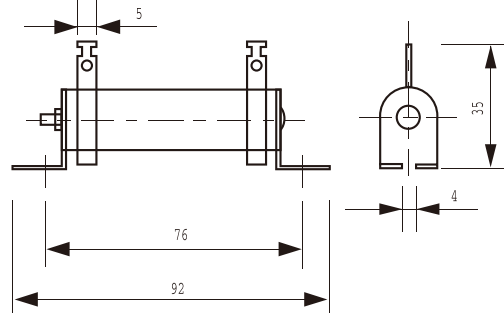


電子式剎車回路用外部電阻器 / EXTERNAL RESISTOR FOR ELECTRONIC BRAKE CIRCUITS

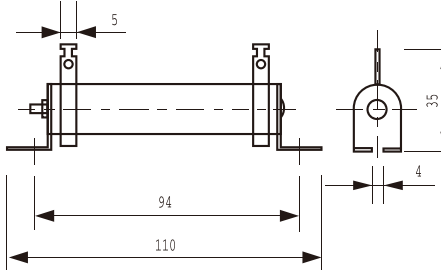
DDR10W10Ω J (10瓦/10歐姆)



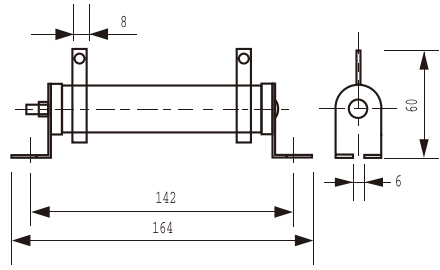
DDR20W20Ω J (20瓦/20歐姆)



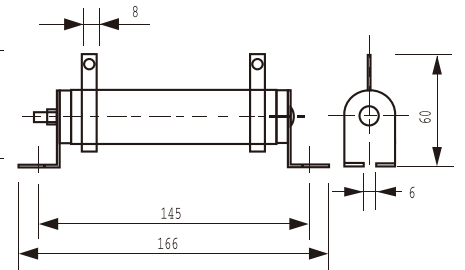
DDR30W20Ω J (30瓦/20歐姆)



DDR50W50Ω J (50瓦/50歐姆)

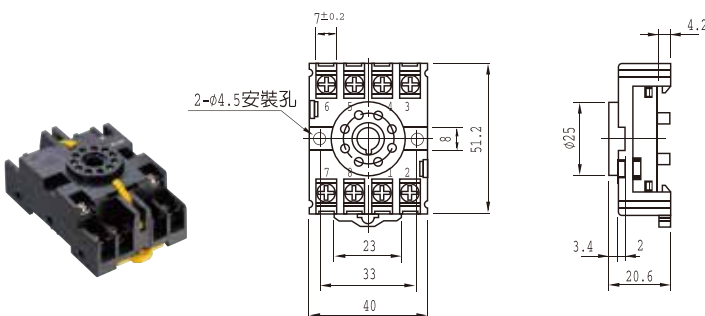


DDR80W50Ω J (80瓦/50歐姆)

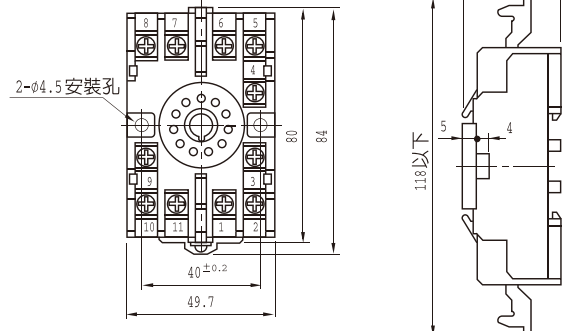


露出型腳座 / EXTENDED BASE BRACKET

PF-083A腳座 (8腳用)



11-PFA腳座 (11腳用)



泛用型馬達
GENERAL PURPOSE MOTOR

速度控制型馬達
SPEED CONTROLLED MOTOR

控制器
CONTROLLER

煞車馬達
BRAKE MOTOR

離合煞車馬達
CLUTCH BRAKE MOTOR

轉矩馬達
TORQUE MOTOR

減速機
SPEED REDUCER

零組件類
COMPONENTS