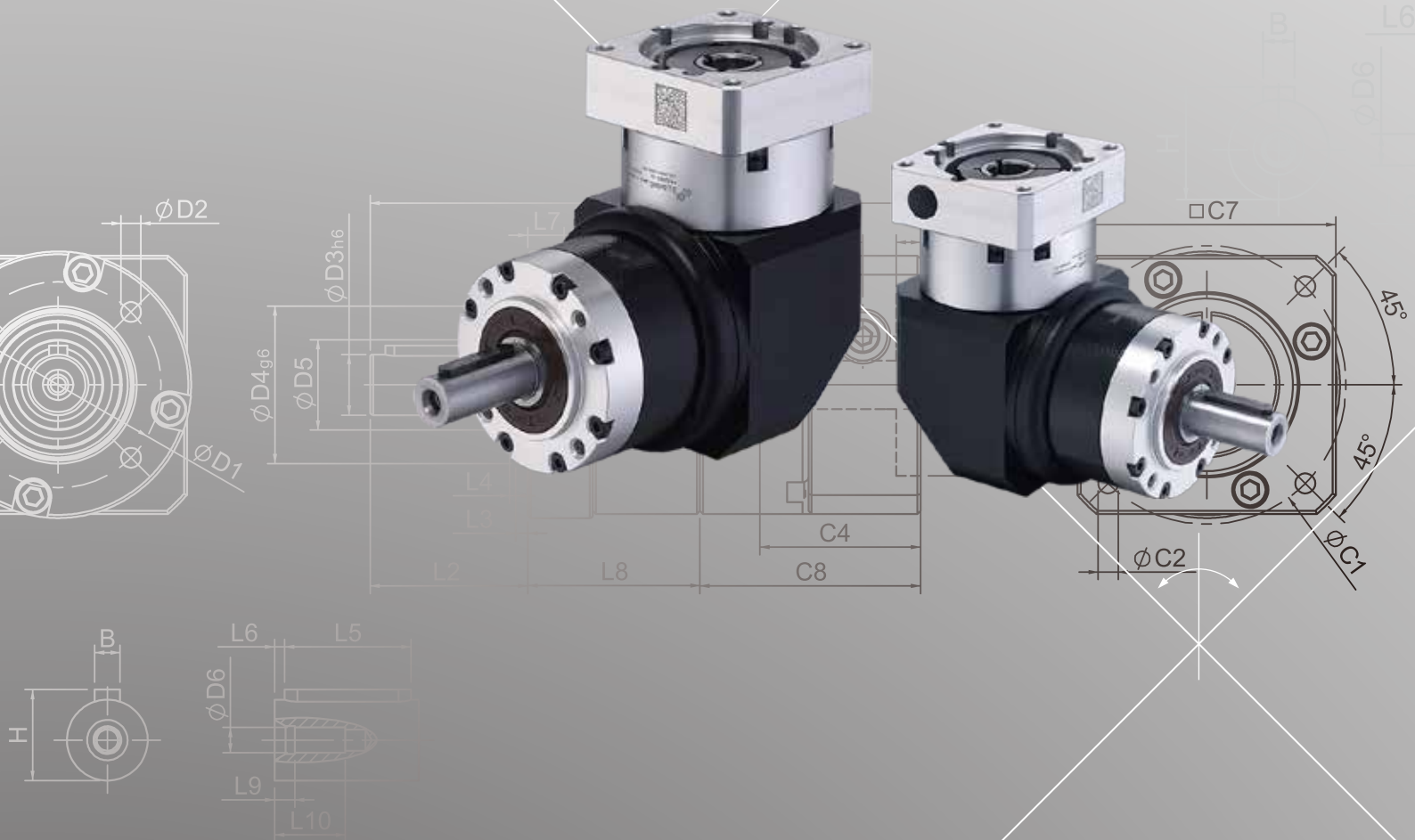
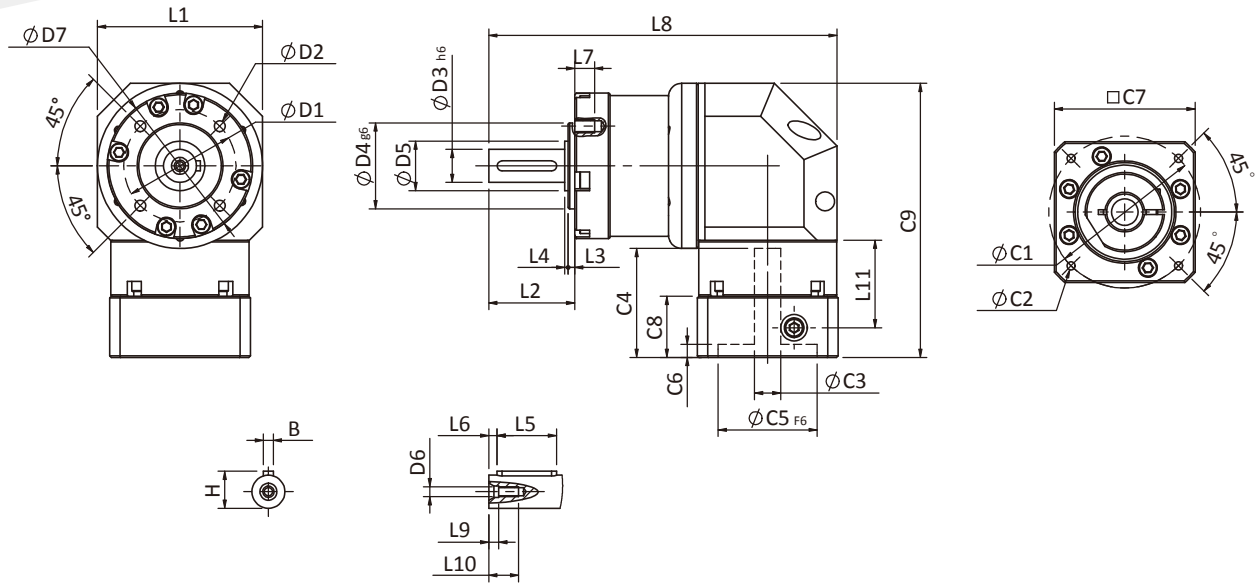


PNSR SERIES



● PNSR Single Stage Dimensions PNSR單段外型尺寸圖



● Specifications 規格

Unit:mm

尺寸 Dimensions	PNSR40	PNSR60	PNSR80	PNSR120
D1	34	52	70	-
D2	M4x0.7P	M5x0.8P	M6x1.0P	-
D3 _{h6}	10	14	20	-
D4 _{g6}	26	40	60	-
D5	15	20	35	-
D6	M3x0.5P	M5x0.8P	M6x1.0P	-
D7	44	60	90	-
L1	50	70	-	-
L2	26	35	40	-
L3	2	3	3	-
L4	1	1	1	-
L5	18	25	28	-
L6	2.5	2.5	4	-
L7	6	8	10	-
L8	105.4	139.7	189.2	-
L9	3	4	4.5	-
L10	9	16.5	16.5	-
L11	26.5	36	40.7	-
C1 ²	46	70	90	-
C2 ²	M4x0.7P	M5x0.8P	M6x1.0P	-
C3 ²	$\leq 8/\leq 11$	$\leq 14/\leq 19$	$\leq 19/\leq 24$	-
C4 ²	33	44	57	-
C5 ² _{F6}	30	50	70	-
C6 ²	4	4	6	-
C7 ²	42.6	60	90	-
C8 ²	18.5	20	26	-
C9 ²	83	111.4	150.2	-
B	3	5	6	-
H	11.2	16	22.5	-

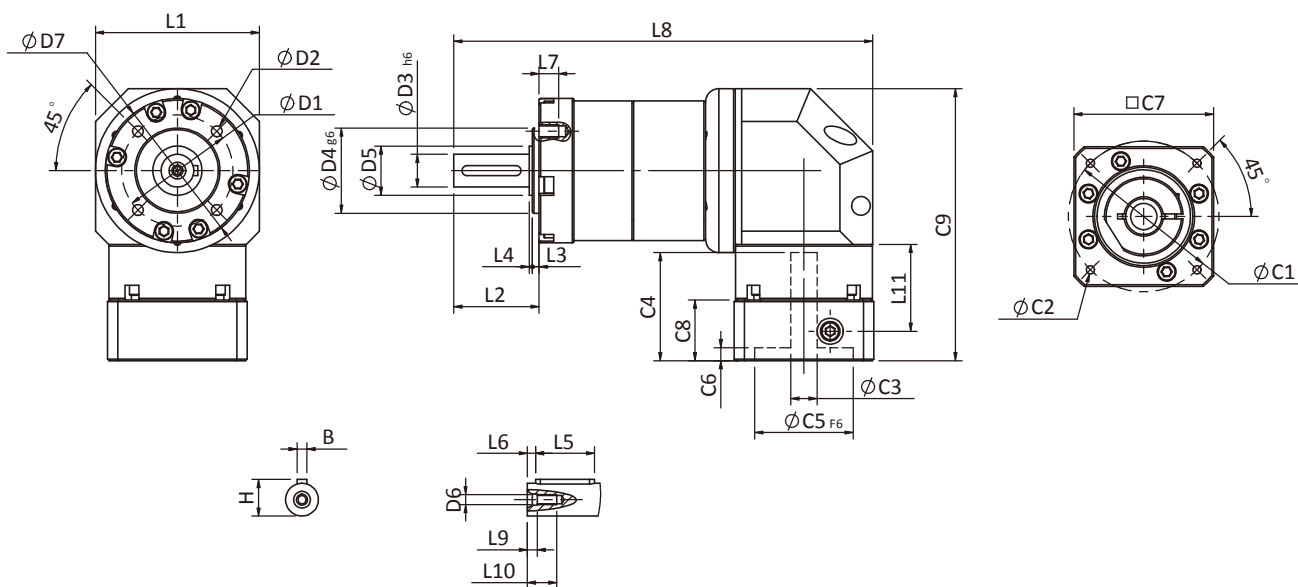
★ C1~C9是公製標準馬達連接板尺寸,請依所選用的馬達決定.

★ 本公司有權針對以上數據規格進行設計變更不先行告知.

★ C1~C9 are motor specific dimensions(metric std shown). Size may vary according to motor flange.

★ Specification subject to change without notice.

PNSR Double Stage Dimensions-1 PNSR雙段外型尺寸圖-1



Specifications 規格

Unit:mm

尺寸 Dimensions	PNSR40	PNSR60	PNSR80	PNSR120
D1	34	52	70	-
D2	M4x0.7P	M5x0.8P	M6x1.0P	-
D3 _{h6}	10	14	20	-
D4 _{g6}	26	40	60	-
D5	15	20	35	-
D6	M3x0.5P	M5x0.8P	M6x1.0P	-
D7	44 (45)	60	90	-
L1	50	70	-	-
L2	26	35	40	-
L3	2	3	3	-
L4	1	1	1	-
L5	18	25	28	-
L6	2.5	2.5	4	-
L7	6	8	10	-
L8	127.9	166.7	223	-
L9	3	4	4.5	-
L10	9	16.5	16.5	-
L11	26.5	36	40.7	-
C1 ²	46	70	90	-
C2 ²	M4x0.7P	M5x0.8P	M6x1.0P	-
C3 ²	$\leq 8/\leq 11$	$\leq 14/\leq 19$	$\leq 19/\leq 24$	-
C4 ²	33	44	57	-
C5 ² _{F6}	30	50	70	-
C6 ²	4	4	6	-
C7 ²	42.6	60	90	-
C8 ²	18.5	20	26	-
C9 ²	83	111.4	150.2	-
B	3	5	6	-
H	11.2	16	22.5	-

*1. 減速比100、200、300時·D7=45

*2. C1~C9是公製標準馬達連接板尺寸·請依所選用的馬達決定·

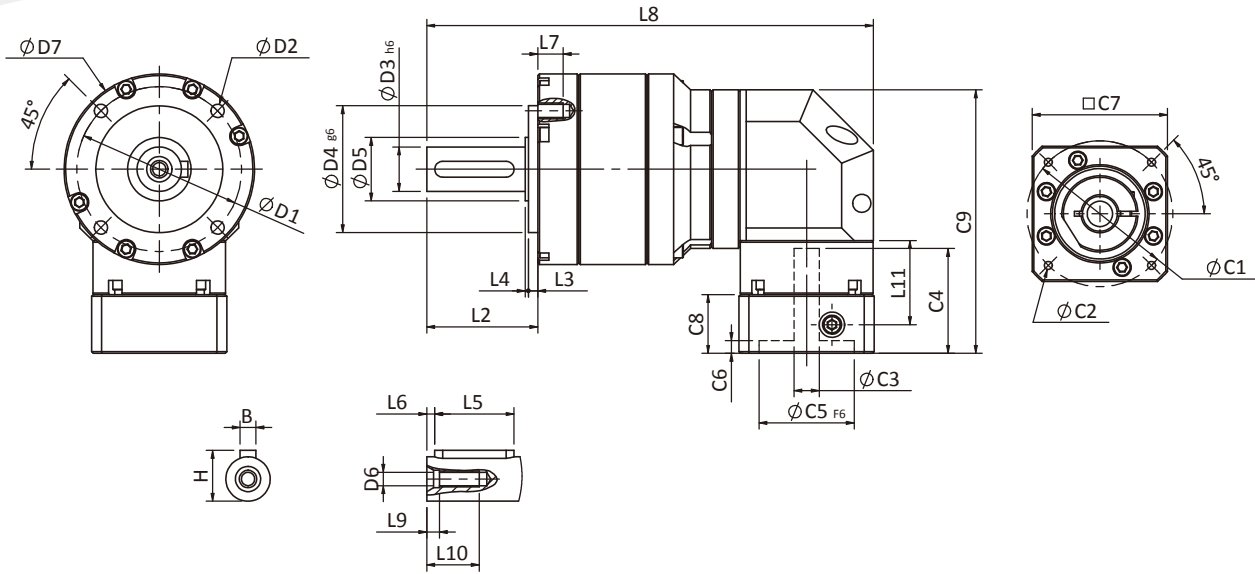
★ 本公司有權針對以上數據規格逕行設計變更不先行告知·

*1. D7=45 when gear ratios are 100, 200, and 300.

*2. C1~C9 are motor specific dimensions (metric std shown).
Sizes may vary according to the motor flange chosen.

★ Specification subject to change without notice.

PNSR Double Stage Dimensions-2 PNSR雙段外型尺寸圖-2



Specifications 規格

Unit:mm

尺寸 Dimensions	PNSR60T	PNSR80T	PNSR120T
D1	52	70	100
D2	M5x0.8P	M6x1.0P	M10x1.5P
D3 _{h6}	14	20	25
D4 _{g6}	40	60	80
D5	20	35	40
D6	M5x0.8P	M6x1.0P	M10x1.5P
D7	60	90	116
L1	-	-	-
L2	35	40	55
L3	3	3	4
L4	1	1	1
L5	25	28	40
L6	2.5	4	5
L7	8	10	15
L8	140.7	181.8	268.9
L9	4	4.5	6
L10	16.5	16.5	26
L11	26.5	36	40.7
C1 ²	46	70	90
C2 ²	M4x0.7P	M5x0.8P	M6x1.0P
C3 ²	$\leq 8/\leq 11$	$\leq 14/\leq 19$	$\leq 19/\leq 24$
C4 ²	33	44	57
C5 ² _{F6}	30	50	70
C6 ²	4	4	6
C7 ²	42.6	60	90
C8 ²	18.5	20	26
C9 ²	83	111.4	150.2
B	5	6	8
H	16	22.5	28

★ C1~C9是公製標準馬達連接板尺寸,請依所選用的馬達決定.

★ 本公司有權針對以上數據規格進行設計變更不先行告知.

★ C1~C9 are motor specific dimensions(metric std shown). Size may vary according to motor flange.

★ Specification subject to change without notice.

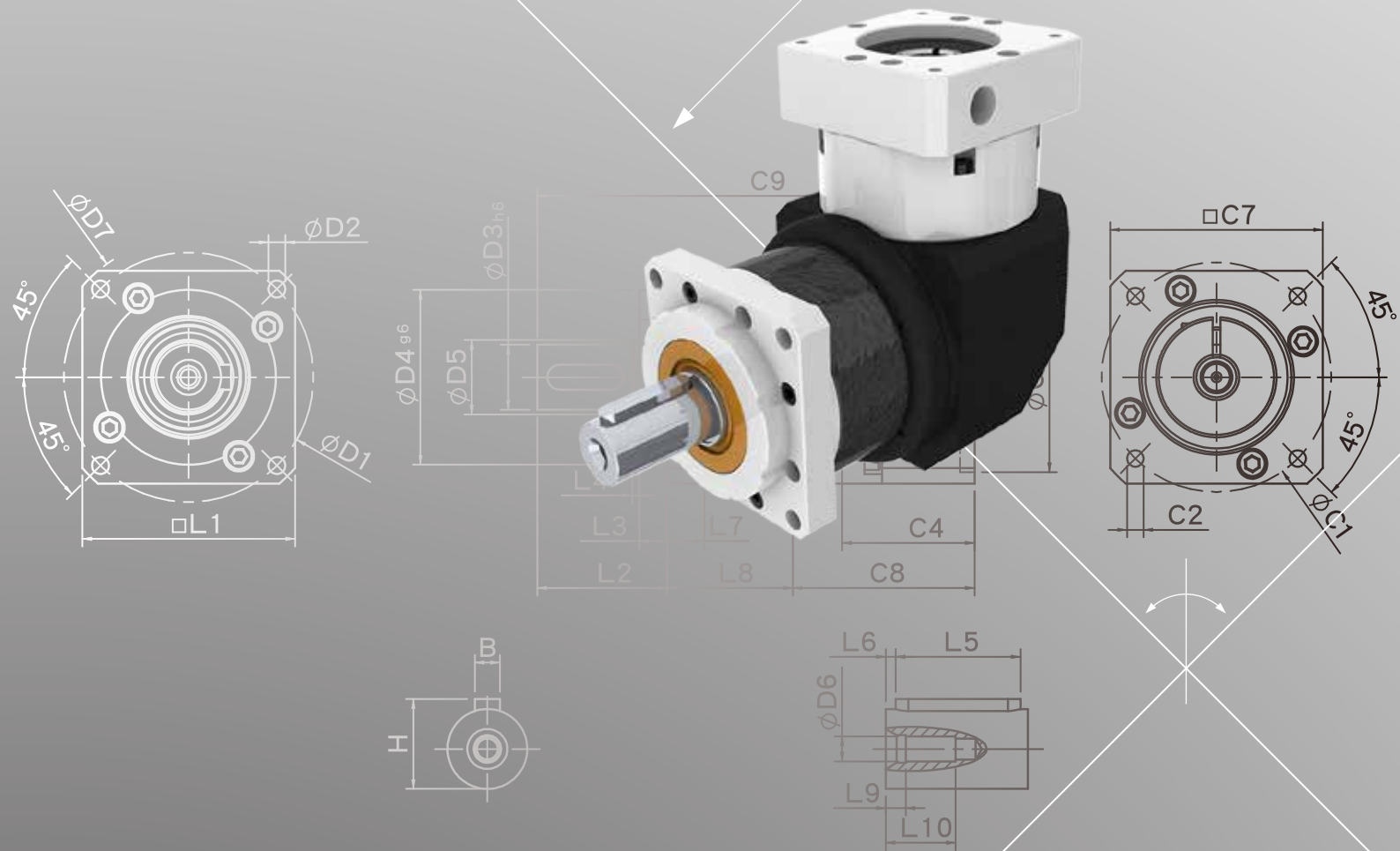
○ PNSR Specifications Table PNSR性能規格共表

規格 Specifications	節數 Stage	減速比 Ratio	PNSR-40	PNSR-60	PNSR-80	PNSR-120	
額定輸出力矩 T_{2N} Nominal Output Torque	1	3	9	28	85	200	
		4	10	32	80	215	
		5	11	35	95	215	
		7	10	28	85	200	
		8	10	32	80	215	
		9	9	28	85	200	
		10	11	35	95	215	
		12	10	32	80	215	
		14	10	28	85	200	
		15	11	35	95	215	
	16	8	23	75	195		
	2	節數 Stage	減速比 Ratio	PNSR-40	PNSR-60/ PNSR-60T	PNSR-80/ PNSR-80T	PNSR-120T
		20	11	35/31	95/95	215	
		25	11	35/30	95/95	215	
		30	11	35/30	95/95	215	
		35	11	35/28	95/95	215	
		40	11	35/31	95/95	215	
		50	11	35/30	95/95	215	
		60	11	35/30	95/95	215	
		70	10	35/28	95/95	215	
80		11	35/27	95/92	215		
98	10	-	-	-			
100	-	35/27	95/82	205			
120	11	35/27	95/92	215			
160	-	23/23	75/75	195			
200	8	21/21	65/65	180			
243	8	23/23	75/75	195			
300	8	21/21	65/65	180			
急停力矩 T_{2NOT} Emergency Stop Torque	N • m	2.5 倍額定輸出力矩 (2.5 times of Nominal Output Torque) * 最大輸出力矩 Max. Output Torque T_{2B} =60% of Emergency Stop Torque)					
額定輸入轉速 n_{1N} Nominal Input Speed	rpm	1,2	3-300	4500	4000	3000	2500
最大輸入轉速 n_{1max} Max. Input Speed	rpm	1,2	3-300	7500	7000	6000	5000
標準背隙 Standard Backlash P2	arcmin	1	3-16	≤ 18	≤ 15	≤ 13	≤ 11
		2	20-300	≤ 20	≤ 17	≤ 15	≤ 13
扭轉剛性 Torsional Rigidity	N • m /arcmin	1,2	3-300	1.2	3.5	8.5	17
容許徑向力 F_{2rB}^1 Max. Radial Load	N	1,2	3-300	580	890	2050	4370
容許軸向力 F_{2aB}^1 Max. Axial Load	N	1,2	3-300	410	430	1100	2630
使用溫度 Operating Temp.	°C	1,2	3-300	-10°C ~ +90°C			
使用壽命 Service Life	hr	1,2	3-300	20,000 (10,000 連續運轉 Continuous operation)			
效率 Efficiency	%	1	3-16	≥ 95%			
		2	20-300	≥ 90%			
重量 Weight	kg	1	3-16	1.0	2.4	6.1	12.2
		2	20-300	1.2	2.9/2.7	8.1/6.5	13.8
安裝方向 Mounting Position	-	1,2	3-300	任意方向 Any direction			
噪音值 Noise Level ²	dBA/1m	1,2	3-300	66	68	70	73
防護等級 Protection Class	-	1,2	3-300	IP 65			
潤滑 Lubrication	-	1,2	3-300	全合成潤滑油脂 Synthetic Lubricant			
減速機轉動慣量 Inertia (J1)							
節數 Stage	減速比 Ratio	單位 unit	PNSR-40 (φ 8)	PNSR-60 (φ 14)	PNSR-80 (φ 19)	PNSR-120 (φ 24)	
1	3, 4, 5, 7	Kg • cm ²	0.07	0.40	2.30	6.80	
	其它比數 Other ratios		0.05	0.30	1.50	4.70	
節數 Stage	減速比 Ratio		PNSR-40 (φ 8)	PNSR-60 (φ 14) PNSR-60T (φ 8)	PNSR-80 (φ 19) PNSR-80T (φ 14)	PNSR-120T (φ 19)	
2	20, 25, 35		0.07	0.40/0.07	2.30/0.40	2.30	
	其它比數 Other ratios	0.05	0.30/0.05	1.50/0.30	1.50		

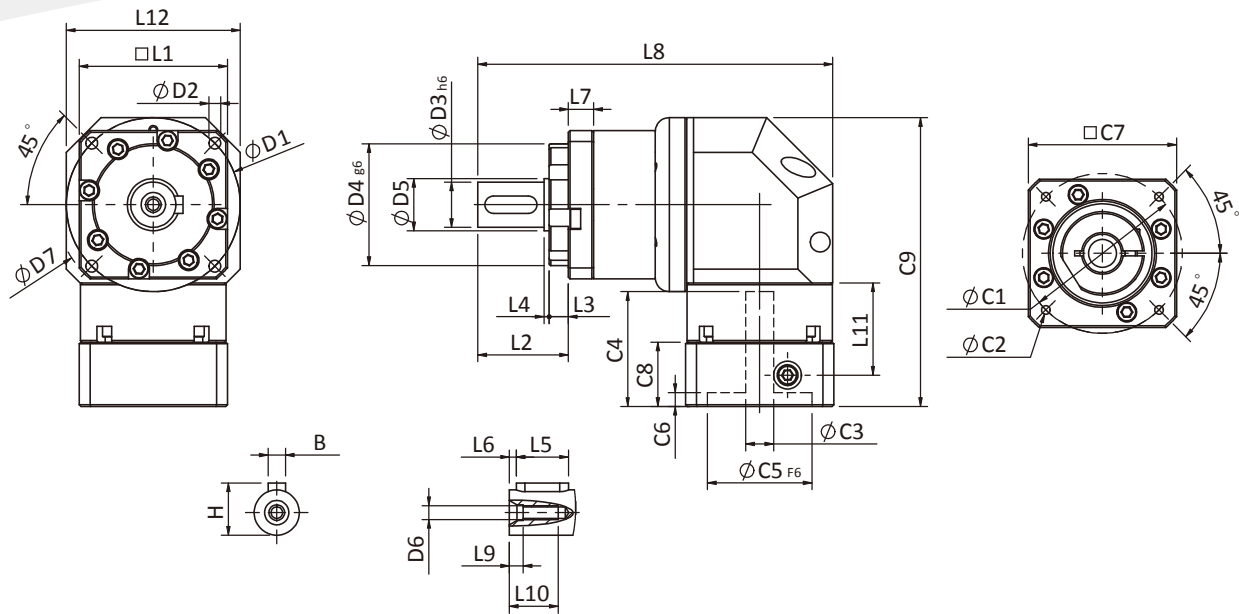
* 1. 輸出轉速 100rpm 時，作用於輸出軸中心位置。Applied to the output shaft center @100rpm.
 * 2. 3000rpm 空載量測。Measured at 3000 rpm with no load. These values are measured by gearbox with ratio = 10 (1-stage) or ratio = 100 (2-stage) at nominal input speed or 3000 rpm (if nominal input speed is higher than 3000 rpm) with no load.
 ※本公司有權對以上數據規格逕行設計變更不先告知。The above figures/specifications are subject to change without prior notice.

Products due to human error, natural disasters or other factors lead to poor or damaged, will not be covered under warranty.
 產品因人為原因或天災等因素導致不良或損壞，不在保固範圍內。

PAER SERIES



PAER Single Stage Dimensions PAER單段外型尺寸圖



Specifications 規格

Unit:mm

尺寸 Dimensions	PAER42	PAER60	PAER90	PAER115
D1	50	70	100	-
D2	3.4	5.5	6.5	-
D3 _{h6}	13	16	22	-
D4 _{g6}	35	50	80	-
D5	15	20	35	-
D6	M4x0.7P	M5x0.8P	M8x1.25P	-
D7	56	80	118	-
L1	42.6	60	90	-
L2	26	37	48	-
L3	5.5	7	10	-
L4	1.5	1.5	1.5	-
L5	15	25	32	-
L6	2	2	3	-
L7	7.3	10	12	-
L8	102	143.6	194.5	-
L9	4	4	4.5	-
L10	14	16.5	20.5	-
L11	26.5	36	40.7	-
L12	50	70	98	-
C1 ²	46	70	90	-
C2 ²	M4x0.7P	M5x0.8P	M6x1.0P	-
C3 ²	≤8/≤11	≤14/≤19	≤19/≤24	-
C4 ²	33	44	57	-
C5 ² _{F6}	30	50	70	-
C6 ²	4	4	6	-
C7 ²	42.6	60	90	-
C8 ²	18.5	20	26	-
C9 ²	83	111.4	149.2	-
B	5	5	6	-
H	15	18	24.5	-

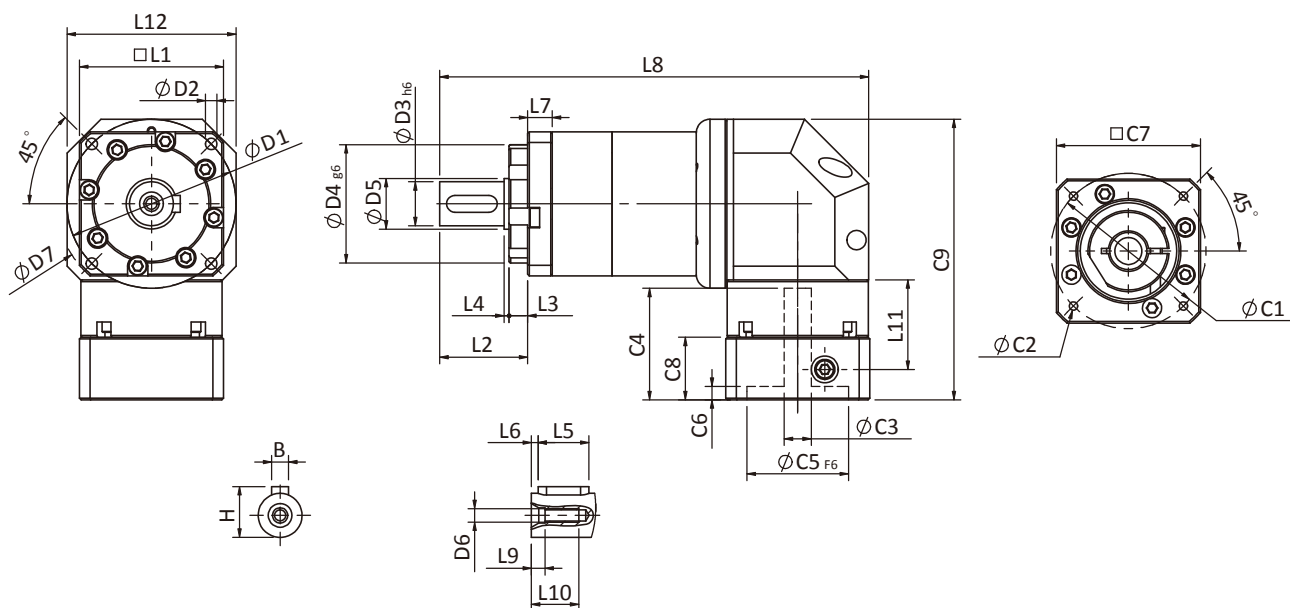
★ C1~C9是公製標準馬達連接板尺寸,請依所選用的馬達決定.

★ 本公司有權針對以上數據規格進行設計變更不先行告知.

★ C1~C9 are motor specific dimensions(metric std shown). Size may vary according to motor flange.

★ Specification subject to change without notice.

PAER Double Stage Dimensions-1 PAER雙段外型尺寸圖-1



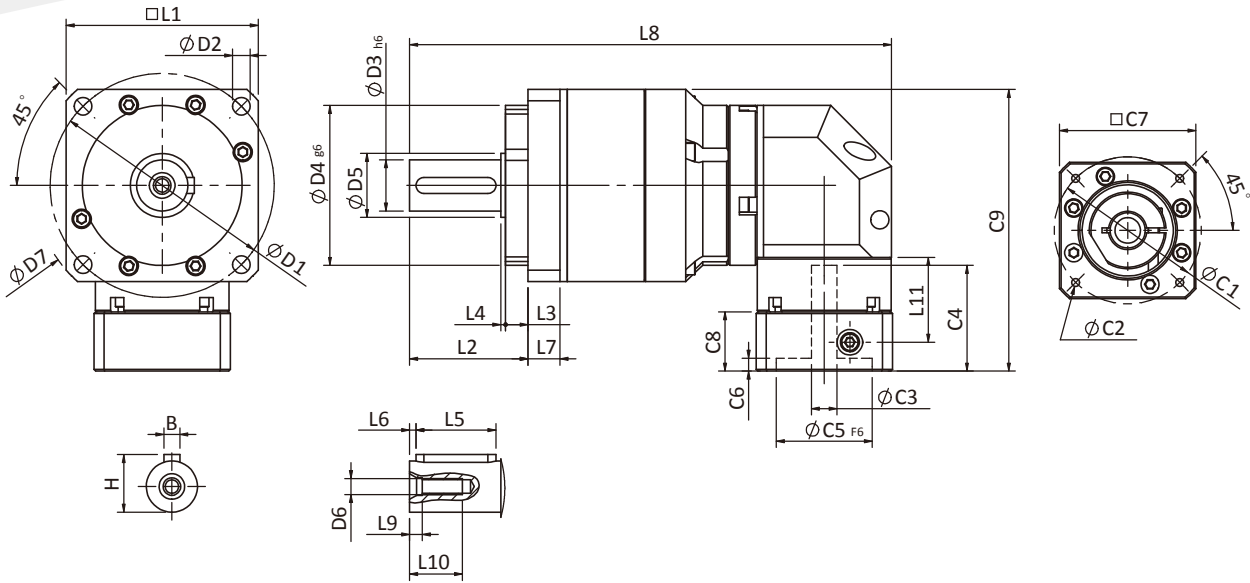
Specifications 規格

Unit:mm

尺寸 Dimensions	PAER42	PAER60	PAER90	PAER115
D1	50	70	100	-
D2	3.4	5.5	6.5	-
D3 _{h6}	13	16	22	-
D4 _{g6}	35	50	80	-
D5	15	20	35	-
D6	M4x0.7P	M5x0.8P	M8x1.25P	-
D7	56	80	118	-
L1 ¹	42.6 (44)	60	90	-
L2	26	37	48	-
L3	5.5	7	10	-
L4	1.5	1.5	1.5	-
L5	15	25	32	-
L6	2	2	3	-
L7	7.3	10	12	-
L8	126.9	174.3	235.5	-
L9	4	4	4.5	-
L10	14	16.5	20.5	-
L11	26.5	36	40.7	-
L12	50	70	98	-
C1 ²	46	70	90	-
C2 ²	M4x0.7P	M5x0.8P	M6x1.0P	-
C3 ²	≤8/≤11	≤14/≤19	≤19/≤24	-
C4 ²	33	44	57	-
C5 ² _{F6}	30	50	70	-
C6 ²	4	4	6	-
C7 ²	42.6	60	90	-
C8 ²	18.5	20	26	-
C9 ²	83	111.4	149.2	-
B	5	5	6	-
H	15	18	24.5	-

*1. 減速比100、200、300時·L1=44
 *2. C1~C9是公製標準馬達連接板尺寸·請依所選用的馬達決定。
 * C1~C9 are motor specific dimensions (metric std shown).
 Sizes may vary according to the motor flange chosen.
 * 本公司有權針對以上數據規格逕行設計變更不先行告知。
 * Specification subject to change without notice.

PAER Double Stage Dimensions-2 PAER雙段外型尺寸圖-2



Specifications 規格

Unit:mm

尺寸 Dimensions	PAER60T	PAER90T	PAER115T
D1	70	100	130
D2	5.5	6.5	9
D3 _{h6}	16	22	32
D4 _{g6}	50	80	110
D5	20	35	44
D6	M5x0.8P	M8x1.25P	M12x1.75P
D7	80	118	148
L1	60	90	115
L2	37	48	65
L3	7	10	12
L4	1.5	1.5	2
L5	25	32	40
L6	2	3	5
L7	10	12	16
L8	150.6	190.6	268.1
L9	4	4.5	6
L10	16.5	20.5	30
L11	26.5	36	40.7
C1 ²	46	70	90
C2 ²	M4x0.7P	M5x0.8P	M6x1.0P
C3 ²	≤8/≤11	≤14/≤19	≤19/≤24
C4 ²	33	44	57
C5 ² _{F6}	30	50	70
C6 ²	4	4	6
C7 ²	42.6	60	90
C8 ²	18.5	20	26
C9 ²	88	121.4	157.7
B	5	6	10
H	18	24.5	35

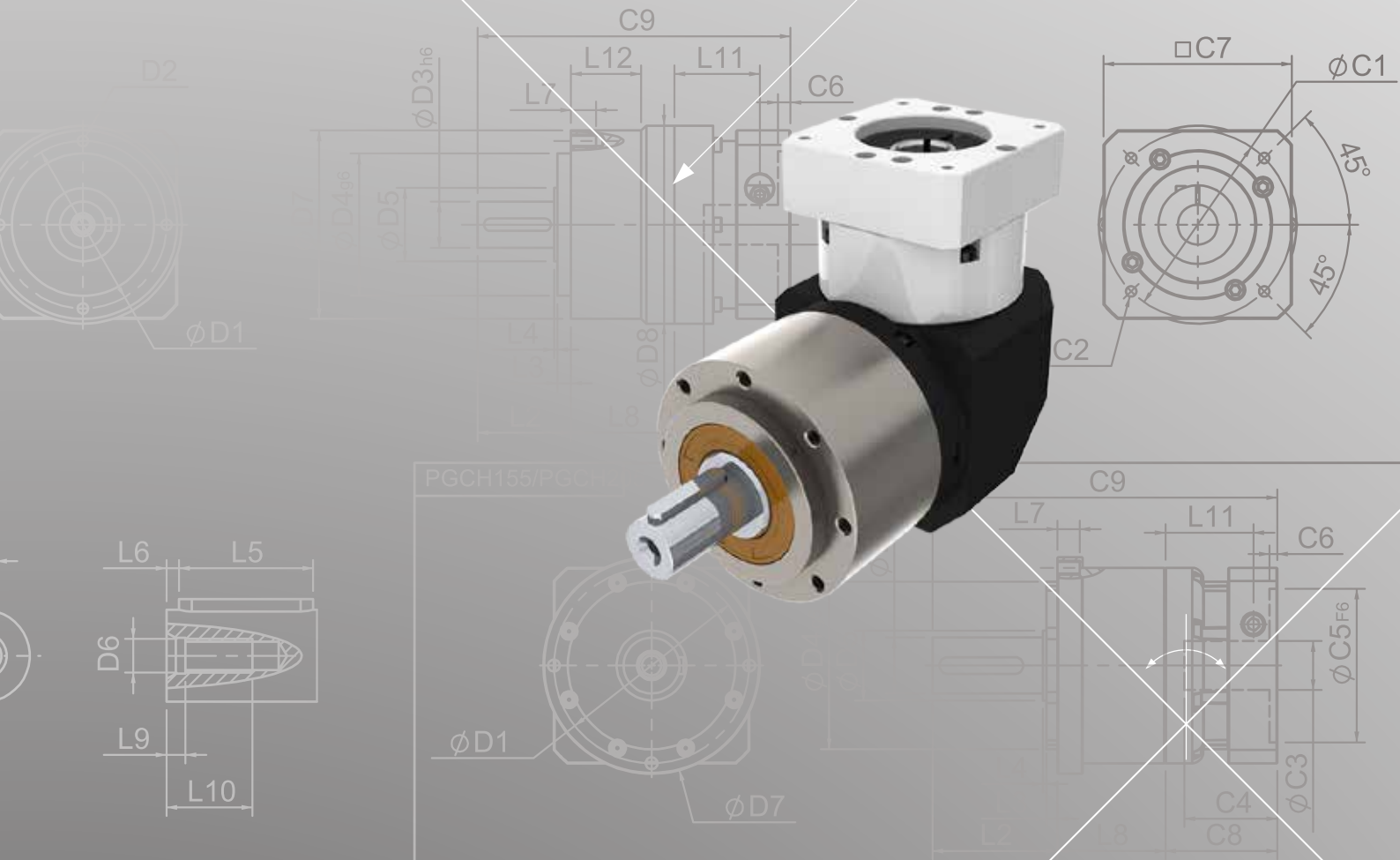
*2. C1~C9是公製標準馬達連接板尺寸，請依所選用的馬達決定。

*2. C1~C9 are motor specific dimensions (metric std shown).
Sizes may vary according to the motor flange chosen.

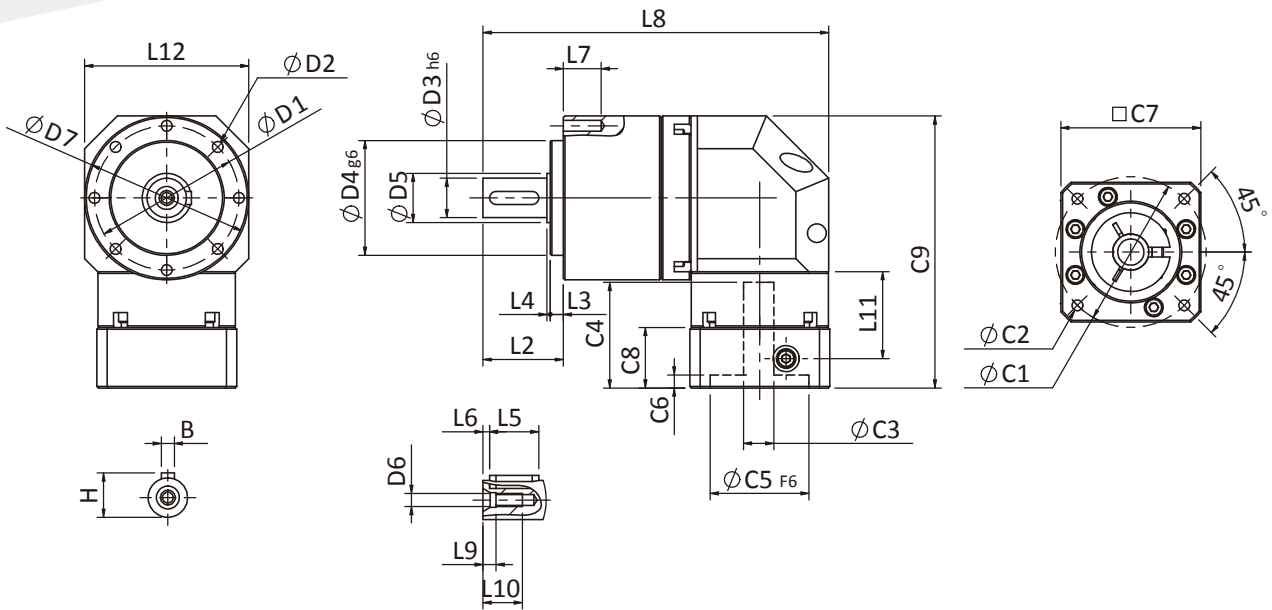
★ 本公司有權針對以上數據規格逕行設計變更不先行告知。

★ Specification subject to change without notice.

PGCHR SERIES



PGCHR Single Stage Dims. PGCHR單段外型尺寸圖



Specifications 規格

Unit:mm

尺寸 Dimensions	PGCHR50	PGCHR70	PGCHR90
D1	44	62	80
D2	M4x0.7P	M5x0.8P	M6x1.0P
D3 _{h6}	12	16	22
D4 _{g6}	35	52	68
D5	15	25	35
D6	M4x0.7P	M5x0.8P	M8x1.25P
D7	50	70	90
-	-	-	-
L2	24.5	36	44.5
L3	4	6	6.5
L4	1	1.5	1.5
L5	15	25	32
L6	2	2	3
L7	8	10	12
L8	105.3	144.3	201
L9	4	4	4.5
L10	12	16.5	20.5
L11	26.5	36	41.2
L12	50	70	98
C1 ²	46	70	90
C2 ²	M4x0.7P	M5x0.8P	M6x1.0P
C3 ²	≤8/≤11	≤14/≤19	≤19/≤24
C4 ²	33	44	57
C5 ² _{F6}	30	50	70
C6 ²	4	4	6
C7 ²	42.6	60	90
C8 ²	18.5	20	26
C9 ²	83	111.4	149.2
B	4	5	6
H	13.5	18	24.5

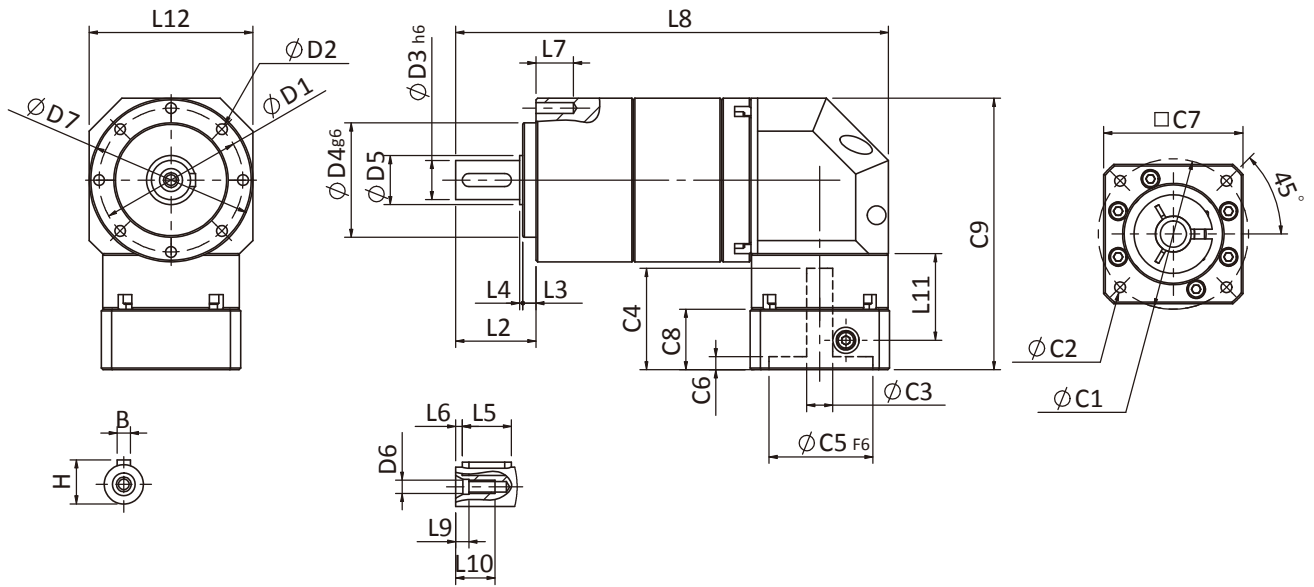
*2. C1~C9是公製標準馬達連接板尺寸，請依所選用的馬達決定。

*2. C1~C9 are motor specific dimensions (metric std shown).
Sizes may vary according to the motor flange chosen.

★ 本公司有權針對以上數據規格進行設計變更不先行告知。

★ Specification subject to change without notice.

PGCHR Double Stage Dims.-1 PGCHR雙段外型尺寸圖-1



Specifications 規格

Unit:mm

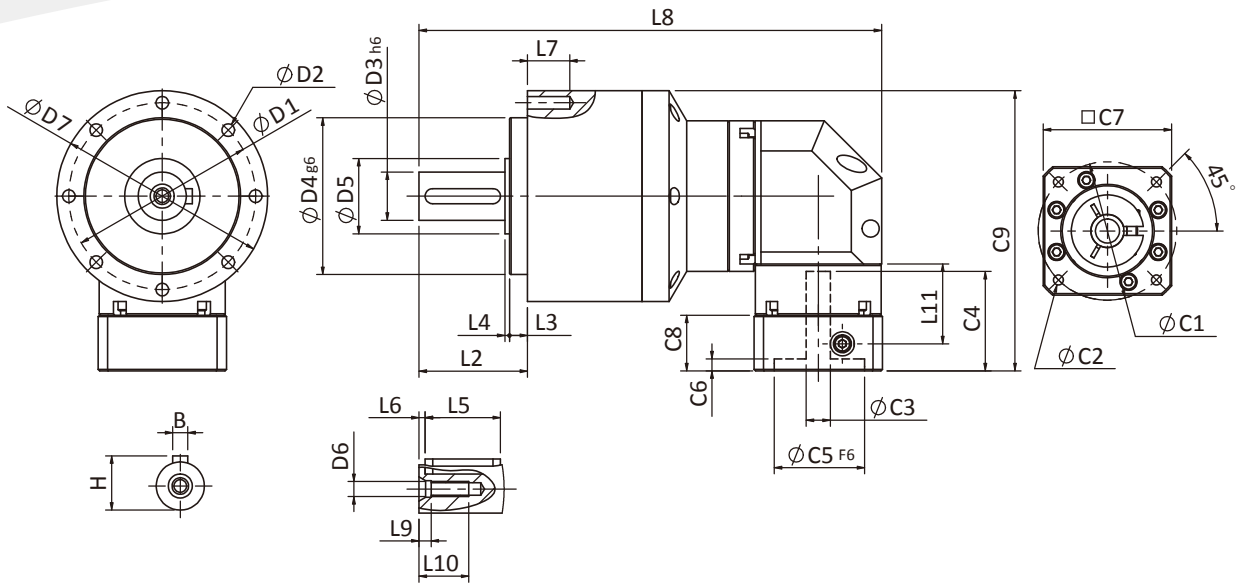
尺寸 Dimensions	PGCHR50	PGCHR70	PGCHR90
D1	44	62	80
D2	M4x0.7P	M5x0.8P	M6x1.0P
D3 h6	12	16	22
D4 g6	35	52	68
D5	15	25	35
D6	M4x0.7P	M5x0.8P	M8x1.25P
D7	50	70	90
-	-	-	-
L2	24.5	36	44.5
L3	4	6	6.5
L4	1	1.5	1.5
L5	15	25	32
L6	2	2	3
L7	8	10	12
L8	132.3	177.3	245
L9	4	4	4.5
L10	12	16.5	20.5
L11	26.5	36	41.2
L12	50	70	98
C1 ²	46	70	90
C2 ²	M4x0.7P	M5x0.8P	M6x1.0P
C3 ²	≤8/≤11	≤14/≤19	≤19/≤24
C4 ²	33	44	57
C5 ² F6	30	50	70
C6 ²	4	4	6
C7 ²	42.6	60	90
C8 ²	18.5	20	26
C9 ²	83	111.4	149.2
B	4	5	6
H	13.5	18	24.5

*2. C1~C9是公製標準馬達連接板尺寸，請依所選用的馬達決定。 *2. C1~C9 are motor specific dimensions (metric std shown).
Sizes may vary according to the motor flange chosen.

★ 本公司有權針對以上數據規格進行設計變更不先行告知。

★ Specification subject to change without notice.

PGCHR Double Stage Dims.-2 PGCHR雙段外型尺寸圖-2



Specifications 規格

Unit:mm

尺寸 Dimensions	PGCHR70T	PGCHR90T	PGCHR120T
D1	62	80	108
D2	M5x0.8P	M6x1.0P	M8x1.25P
D3 _{h6}	16	22	32
D4 _{g6}	52	68	90
D5	25	35	45
D6	M5x0.8P	M8x1.25P	M12x1.75P
D7	70	90	120
-	-	-	-
L2	36	44.5	60
L3	6	6.5	7
L4	1.5	1.5	3.5
L5	25	32	40
L6	2	3	5
L7	10	12	16
L8	153.5	196.8	269.5
L9	4	4.5	6
L10	16.5	20.5	30
L11	26.5	36	41.2
C1 ²	46	70	90
C2 ²	M4x0.7P	M5x0.8P	M6x1.0P
C3 ²	≤8/≤11	≤14/≤19	≤19/≤24
C4 ²	33	44	57
C5 ² _{F6}	30	50	70
C6 ²	4	4	6
C7 ²	42.6	60	90
C8 ²	18.5	20	26
C9 ²	93	123.65	160.2
B	5	6	10
H	18	24.5	35

*2. C1~C9是公製標準馬達連接板尺寸，請依所選用的馬達決定。

*2. C1~C9 are motor specific dimensions (metric std shown).
Sizes may vary according to the motor flange chosen.

★ 本公司有權針對以上數據規格逕行設計變更不先行告知。

★ Specification subject to change without notice.

PGCHR Specs. Table PGCHR性能規格共表

規格 Specifications	節數 Stage	減速比 Ratio	PGCHR-50	PGCHR-70	PGCHR-90	PGCHR-120	
額定輸出力矩 T_{2N} Nominal Output Torque	1	3	16	36	105	135	
		4	18	48	140	180	
		5	17	54	140	225	
		7	14	44	125	270	
		8	18	48	140	240	
		9	16	35	95	220	
		10	17	50	140	210	
		12	18	40	120	-	
		14	14	44	125	270	
		15	17	45	135	-	
	20	11	37	95	220		
	2	節數 Stage	減速比 Ratio	PGCHR-50	PGCHR-70/ PGCHR-70T	PGCHR-90/ PGCHR-90T	PGCHR-120T
		20	20	55	150	300	
		25	17	54	140	290	
		30	19	53	145	290	
		35	17	54	140	290	
		40	20	55	150	290	
		50	17	54	140	290	
		60	17	54	140	290	
		70	17	54	140	290	
80		17	54	140	290		
100	17	54	140	290			
120	17	54	140	290			
140	14	44	125	270			
200	11	37	95	220			
300	11	37	95	220			
急停力矩 T_{2NOT} Emergency Stop Torque	N • m	2.5 倍額定輸出力矩 (2.5 times of Nominal Output Torque) * 最大輸出力矩 Max. Output Torque T_{2B} =60% of Emergency Stop Torque)					
額定輸入轉速 n_{1N} Nominal Input Speed	rpm	1,2	3-300	4500	4000	3600	3600
最大輸入轉速 n_{1max} Max. Input Speed	rpm	1,2	3-300	7500	8000	6000	6000
標準背隙 Standard Backlash P2	arcmin	1	3-16	≤ 10	≤ 10	≤ 9	≤ 8
		2	20-300	≤ 12	≤ 12	≤ 11	≤ 10
扭轉剛性 Torsional Rigidity	N • m /arcmin	1,2	3-300	2.5	6	12	23
容許徑向力 F_{2rB}^1 Max. Radial Load	N	1,2	3-300	640	1260	2030	4200
容許軸向力 F_{2aB}^1 Max. Axial Load	N	1,2	3-300	410	600	1200	2600
使用溫度 Operating Temp.	°C	1,2	3-300	-10°C ~ +90°C			
使用壽命 Service Life	hr	1,2	3-300	20,000 (10,000 連續運轉 Continuous operation)			
效率 Efficiency	%	1	3-16	$\geq 95\%$			
		2	20-300	$\geq 92\%$			
重量 Weight	kg	1	3-16	1.1	2.6	6.8	14.9
		2	20-300	1.4	3.3/3.0	9.5/7.3	16.7
安裝方向 Mounting Position	-	1,2	3-300	任意方向 Any direction			
噪音值 Noise Level ²	dB(A)/1m	1,2	3-300	62	64	66	68
防護等級 Protection Class	-	1,2	3-300	IP 65			
潤滑 Lubrication	-	1,2	3-300	全合成潤滑油脂 Synthetic Lubricant			
減速機轉動慣量 Inertia (J1)							
節數 Stage	減速比 Ratio	單位 unit	PGCHR-50 ($\phi 8$)	PGCHR-70 ($\phi 14$)	PGCHR-90 ($\phi 19$)	PGCHR-120 ($\phi 24$)	
1	3, 4, 5, 7	Kg • cm ²	0.07	0.40	2.0	2.7	
	其它比數 Other ratios		0.05	0.30	1.5	2.2	
2	20, 25, 35		0.07	0.40/0.07	2.30/0.40	2.0	
	其它比數 Other ratios		0.05	0.30/0.05	1.50/0.30	1.5	

* 1. 輸出轉速 100rpm 時，作用於輸出軸中心位置。Applied to the output shaft center @100rpm.

* 2. 3000rpm 空載量測。Measured at 3000 rpm with no load. These values are measured by gearbox with ratio = 10 (1-stage) or ratio = 100 (2-stage) at nominal input speed or 3000 rpm (if nominal input speed is higher than 3000 rpm) with no load.

※本公司有權對以上數據規格逕行設計變更不先行告知。The above figures/specifications are subject to change without prior notice.

Products due to human error, natural disasters or other factors lead to poor or damaged, will not be covered under warranty.
產品因人為原因或天災等因素導致不良或損壞，不在保固範圍內。