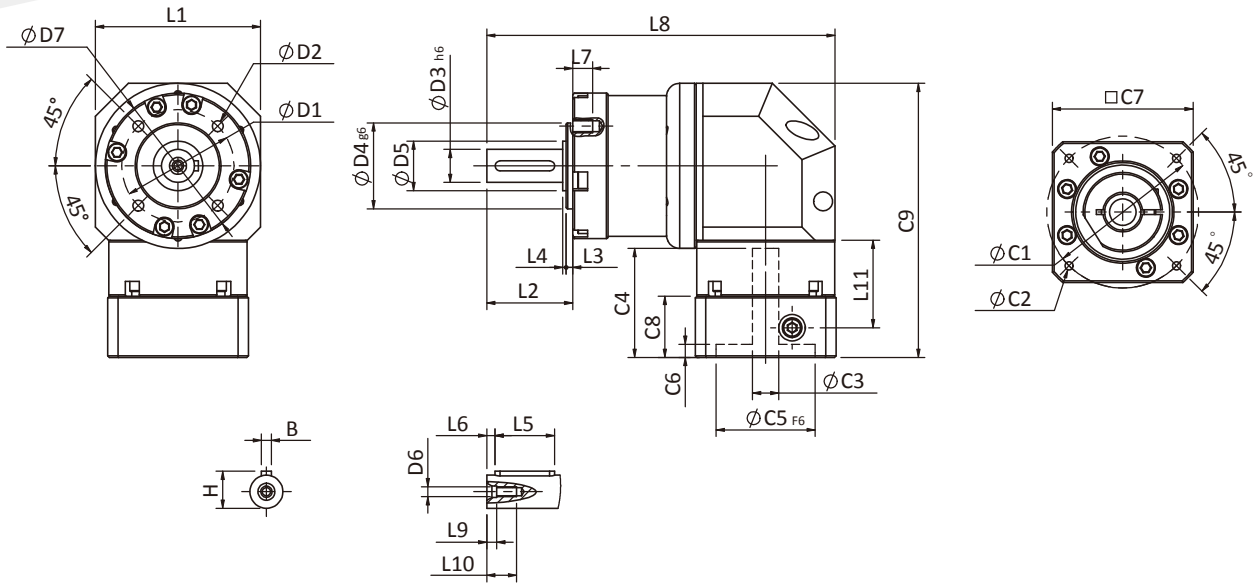


● PNSR Single Stage Dimensions PNSR單段外型尺寸圖



● Specifications 規格

Unit:mm

尺寸 Dimensions	PNSR40	PNSR60	PNSR80	PNSR120
D1	34	52	70	-
D2	M4x0.7P	M5x0.8P	M6x1.0P	-
D3 _{h6}	10	14	20	-
D4 _{g6}	26	40	60	-
D5	15	20	35	-
D6	M3x0.5P	M5x0.8P	M6x1.0P	-
D7	44	60	90	-
L1	50	70	-	-
L2	26	35	40	-
L3	2	3	3	-
L4	1	1	1	-
L5	18	25	28	-
L6	2.5	2.5	4	-
L7	6	8	10	-
L8	105.4	139.7	189.2	-
L9	3	4	4.5	-
L10	9	16.5	16.5	-
L11	26.5	36	40.7	-
C1 ²	46	70	90	-
C2 ²	M4x0.7P	M5x0.8P	M6x1.0P	-
C3 ²	$\leq 8/\leq 11$	$\leq 14/\leq 19$	$\leq 19/\leq 24$	-
C4 ²	33	44	57	-
C5 ² _{F6}	30	50	70	-
C6 ²	4	4	6	-
C7 ²	42.6	60	90	-
C8 ²	18.5	20	26	-
C9 ²	83	111.4	150.2	-
B	3	5	6	-
H	11.2	16	22.5	-

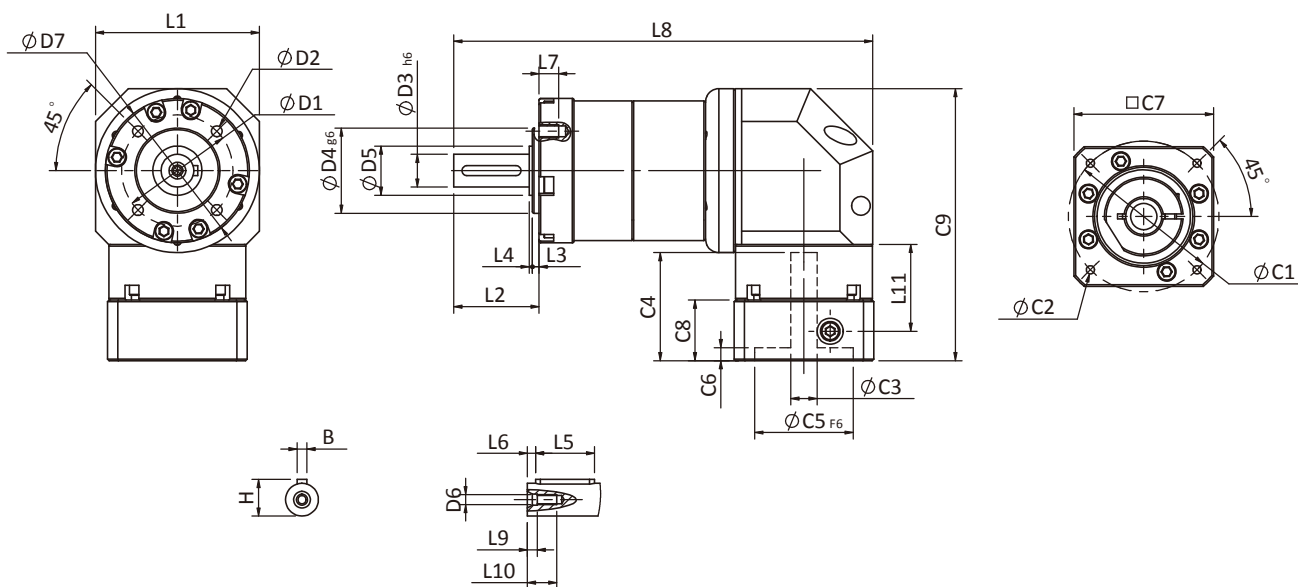
★ C1~C9是公製標準馬達連接板尺寸,請依所選用的馬達決定.

★ 本公司有權針對以上數據規格進行設計變更不先行告知.

★ C1~C9 are motor specific dimensions(metric std shown). Size may vary according to motor flange.

★ Specification subject to change without notice.

PNSR Double Stage Dimensions-1 PNSR雙段外型尺寸圖-1



Specifications 規格

Unit:mm

尺寸 Dimensions	PNSR40	PNSR60	PNSR80	PNSR120
D1	34	52	70	-
D2	M4x0.7P	M5x0.8P	M6x1.0P	-
D3 _{h6}	10	14	20	-
D4 _{g6}	26	40	60	-
D5	15	20	35	-
D6	M3x0.5P	M5x0.8P	M6x1.0P	-
D7	44 (45)	60	90	-
L1	50	70	-	-
L2	26	35	40	-
L3	2	3	3	-
L4	1	1	1	-
L5	18	25	28	-
L6	2.5	2.5	4	-
L7	6	8	10	-
L8	127.9	166.7	223	-
L9	3	4	4.5	-
L10	9	16.5	16.5	-
L11	26.5	36	40.7	-
C1 ²	46	70	90	-
C2 ²	M4x0.7P	M5x0.8P	M6x1.0P	-
C3 ²	≤8/≤11	≤14/≤19	≤19/≤24	-
C4 ²	33	44	57	-
C5 ² _{F6}	30	50	70	-
C6 ²	4	4	6	-
C7 ²	42.6	60	90	-
C8 ²	18.5	20	26	-
C9 ²	83	111.4	150.2	-
B	3	5	6	-
H	11.2	16	22.5	-

*1. 減速比100、200、300時·D7=45

*2. C1~C9是公製標準馬達連接板尺寸·請依所選用的馬達決定·

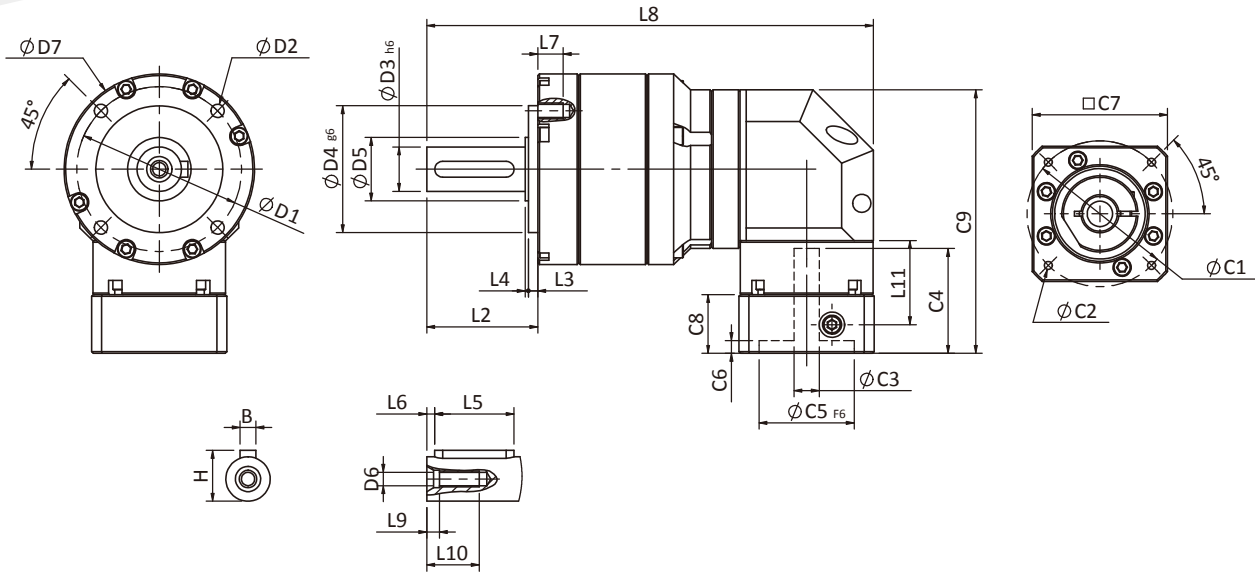
★ 本公司有權針對以上數據規格逕行設計變更不先行告知·

*1. D7=45 when gear ratios are 100, 200, and 300.

*2. C1~C9 are motor specific dimensions (metric std shown).
Sizes may vary according to the motor flange chosen.

★ Specification subject to change without notice.

PNSR Double Stage Dimensions-2 PNSR雙段外型尺寸圖-2



Specifications 規格

Unit:mm

尺寸 Dimensions	PNSR60T	PNSR80T	PNSR120T
D1	52	70	100
D2	M5x0.8P	M6x1.0P	M10x1.5P
D3 _{h6}	14	20	25
D4 _{g6}	40	60	80
D5	20	35	40
D6	M5x0.8P	M6x1.0P	M10x1.5P
D7	60	90	116
L1	-	-	-
L2	35	40	55
L3	3	3	4
L4	1	1	1
L5	25	28	40
L6	2.5	4	5
L7	8	10	15
L8	140.7	181.8	268.9
L9	4	4.5	6
L10	16.5	16.5	26
L11	26.5	36	40.7
C1 ²	46	70	90
C2 ²	M4x0.7P	M5x0.8P	M6x1.0P
C3 ²	$\leq 8/\leq 11$	$\leq 14/\leq 19$	$\leq 19/\leq 24$
C4 ²	33	44	57
C5 ² _{F6}	30	50	70
C6 ²	4	4	6
C7 ²	42.6	60	90
C8 ²	18.5	20	26
C9 ²	83	111.4	150.2
B	5	6	8
H	16	22.5	28

★ C1~C9是公製標準馬達連接板尺寸,請依所選用的馬達決定.

★ 本公司有權針對以上數據規格進行設計變更不先行告知.

★ C1~C9 are motor specific dimensions(metric std shown). Size may vary according to motor flange.

★ Specification subject to change without notice.

○ PNSR Specifications Table PNSR性能規格共表

規格 Specifications	節數 Stage	減速比 Ratio	PNSR-40	PNSR-60	PNSR-80	PNSR-120	
額定輸出力矩 T_{2N} Nominal Output Torque	1	3	9	28	85	200	
		4	10	32	80	215	
		5	11	35	95	215	
		7	10	28	85	200	
		8	10	32	80	215	
		9	9	28	85	200	
		10	11	35	95	215	
		12	10	32	80	215	
		14	10	28	85	200	
		15	11	35	95	215	
	16	8	23	75	195		
	2	節數 Stage	減速比 Ratio	PNSR-40	PNSR-60/ PNSR-60T	PNSR-80/ PNSR-80T	PNSR-120T
		20	11	35/31	95/95	215	
		25	11	35/30	95/95	215	
		30	11	35/30	95/95	215	
		35	11	35/28	95/95	215	
		40	11	35/31	95/95	215	
		50	11	35/30	95/95	215	
		60	11	35/30	95/95	215	
		70	10	35/28	95/95	215	
80		11	35/27	95/92	215		
98	10	-	-	-			
100	-	35/27	95/82	205			
120	11	35/27	95/92	215			
160	-	23/23	75/75	195			
200	8	21/21	65/65	180			
243	8	23/23	75/75	195			
300	8	21/21	65/65	180			
急停力矩 T_{2NOT} Emergency Stop Torque	N • m	2.5 倍額定輸出力矩 (2.5 times of Nominal Output Torque) * 最大輸出力矩 Max. Output Torque T_{2B} =60% of Emergency Stop Torque)					
額定輸入轉速 n_{1N} Nominal Input Speed	rpm	1,2	3-300	4500	4000	3000	2500
最大輸入轉速 n_{1max} Max. Input Speed	rpm	1,2	3-300	7500	7000	6000	5000
標準背隙 Standard Backlash P2	arcmin	1	3-16	≤ 18	≤ 15	≤ 13	≤ 11
		2	20-300	≤ 20	≤ 17	≤ 15	≤ 13
扭轉剛性 Torsional Rigidity	N • m /arcmin	1,2	3-300	1.2	3.5	8.5	17
容許徑向力 F_{2rB}^1 Max. Radial Load	N	1,2	3-300	580	890	2050	4370
容許軸向力 F_{2aB}^1 Max. Axial Load	N	1,2	3-300	410	430	1100	2630
使用溫度 Operating Temp.	°C	1,2	3-300	-10°C ~ +90°C			
使用壽命 Service Life	hr	1,2	3-300	20,000 (10,000 連續運轉 Continuous operation)			
效率 Efficiency	%	1	3-16	≥ 95%			
		2	20-300	≥ 90%			
重量 Weight	kg	1	3-16	1.0	2.4	6.1	12.2
		2	20-300	1.2	2.9/2.7	8.1/6.5	13.8
安裝方向 Mounting Position	-	1,2	3-300	任意方向 Any direction			
噪音值 Noise Level ²	dBA/1m	1,2	3-300	66	68	70	73
防護等級 Protection Class	-	1,2	3-300	IP 65			
潤滑 Lubrication	-	1,2	3-300	全合成潤滑油脂 Synthetic Lubricant			
減速機轉動慣量 Inertia (J1)							
節數 Stage	減速比 Ratio	單位 unit	PNSR-40 (φ 8)	PNSR-60 (φ 14)	PNSR-80 (φ 19)	PNSR-120 (φ 24)	
1	3, 4, 5, 7	Kg • cm ²	0.07	0.40	2.30	6.80	
	其它比數 Other ratios		0.05	0.30	1.50	4.70	
2	20, 25, 35		0.07	0.40/0.07	2.30/0.40	2.30	
	其它比數 Other ratios		0.05	0.30/0.05	1.50/0.30	1.50	

* 1. 輸出轉速 100rpm 時，作用於輸出軸中心位置。Applied to the output shaft center @100rpm.

* 2. 3000rpm 空載量測。Measured at 3000 rpm with no load. These values are measured by gearbox with ratio = 10 (1-stage) or ratio = 100 (2-stage) at nominal input speed or 3000 rpm (if nominal input speed is higher than 3000 rpm) with no load.

※本公司有權對以上數據規格逕行設計變更不先行告知。The above figures/specifications are subject to change without prior notice.

Products due to human error, natural disasters or other factors lead to poor or damaged, will not be covered under warranty.
產品因人為原因或天災等因素導致不良或損壞，不在保固範圍內。